

SFP680



**Mounting Pattern**  
494 x 650mm  
(19.45" x 25.59")



**Max Load**  
350lb  
(158kg)

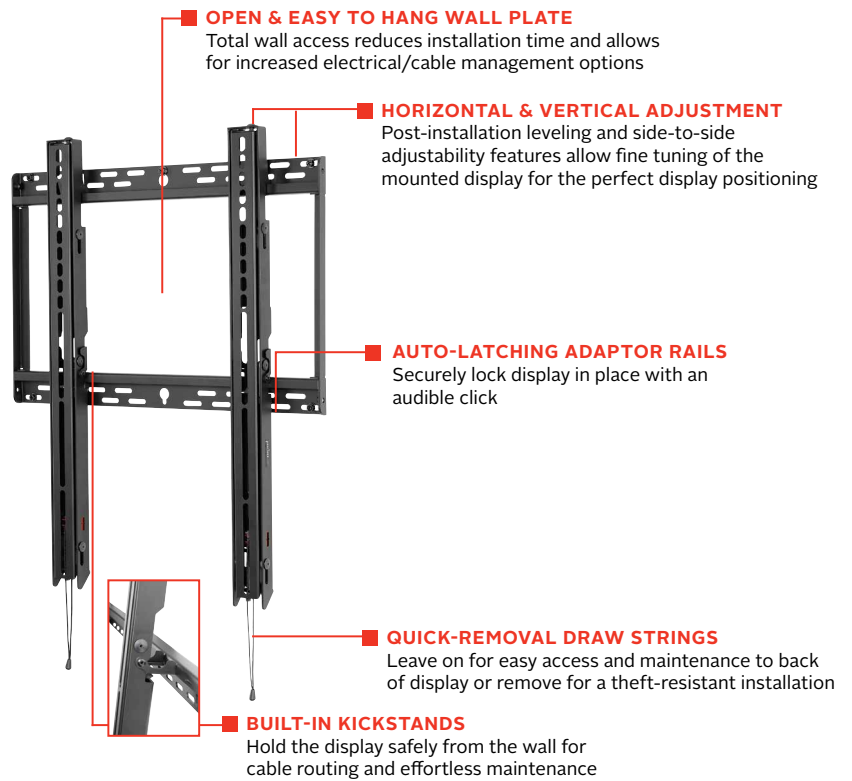
**SMARTMOUNT®**

# Universal Portrait Flat Wall Mount

FOR 46" TO 90" DISPLAYS\*

Peerless-AV's SmartMount® Universal Portrait Flat Wall Mount delivers an ultra-slim profile designed to hold large displays up to 350lb. Installation and maintenance are made easy with the SFP680's robust feature set. Auto-latching adaptor rails automatically secure the display without the use of a tool. The mount's built-in kickstand holds the display safely from the wall during cable routing, while the open wall plate allows for increased electrical and cable management options. Horizontal and vertical display adjustment allow for quick fine-tuning of the mounted display.

- Universal mount fits displays with mounting patterns up to 494 x 650mm (19.45" W x 25.59" H)
- Low-profile design holds display only 1.70" (43mm) from the wall
- Easy hang wall plate allows a bolt to be pre-installed to ease wall plate installation
- Lateral display adjustment up to 3.38" (85.9mm)
- 1" of post-installation vertical adjustment provides flexibility in the installation
- Includes fastener pack with all necessary mounting and display attachment hardware (including M10)



Low-profile design for a sleek, yet compact installation.



Comes in color packaging with included installation hardware and easy to follow instructions.



Please visit [peerless-av.com/en-us/patents](http://peerless-av.com/en-us/patents) for patent information.

\*This display size range is simply a guideline for product selection. Displays larger than the screen size range may still be compatible as long as they fall within the VESA® pattern and max weight of the Peerless-AV® product.

**SFP680** SmartMount® Universal Portrait Flat Wall Mount for 46" to 90" Displays - Security Models

**Product Specifications**

|               | DIMENSIONS (W x H x D)                        | PRODUCT WEIGHT  | LOAD CAPACITY | FINISH                        | AVAILABLE COLORS |
|---------------|---|-----------------|---------------|-------------------------------|------------------|
| <b>SFP680</b> | 22.00" x 27.48" x 1.70"<br>(559 x 698 x 43mm) | 11.95lb (5.4kg) | 350lb (158kg) | Scratch Resistant Fused Epoxy | Semi-Gloss Black |

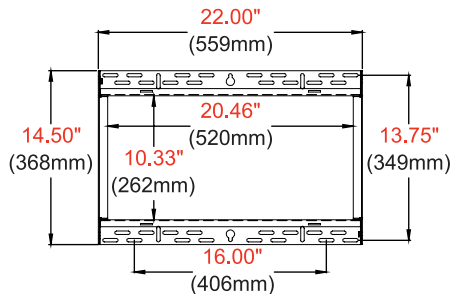
**Package Specifications**

|               | PACKAGE SIZE (W x H x D)                       | PACKAGE SHIP WEIGHT | PACKAGE UPC CODE | PACKAGE CONTENTS  | UNITS IN PACKAGE |
|---------------|--|---------------------|------------------|---|------------------|
| <b>SFP680</b> | 28.50" x 4.10" x 15.60"<br>(725 x 105 x 395mm) | 14.95lb (6.78kg)    | 735029314202     | Wall Mount, Wall and Display Installation Hardware, Installation Instructions | 1                |

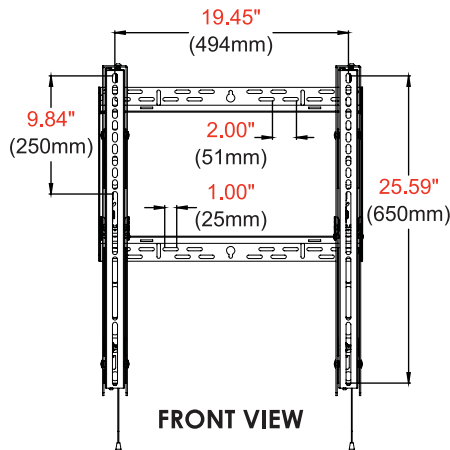
**Accessories**

- ACC309:** Video Conference Shelf
  - ACC615:** 6-pack Metal Stud Fastener Kit
  - ACC925:** Security Fasteners for V200x200 to V800x400 Mounts
  - ACC-M835:** Security Fast-Pack, M8x25 & M8x35
  - ACC-UCM:** Universal AV Component Mount
  - ACC-V600X:** 600mm Extension for 400mm Adaptors
  - ACC-V900X:** 600, 800 or 900mm Extension for 400mm Adaptors
- ESHV models:** AV Wall Shelves
  - IBA4-W:** Easy Mount Recessed Low Voltage Cable Plate
  - IBA5-W:** Recessed Low Voltage Media Plate w/ Duplex Surge Protector
  - IB14X9-W:** 14x9" In-Wall Box
  - IB14X9-AC-W:** 14x9" In-Wall Box with Duplex Surge Protector
  - IB14X14-W:** 14x14" In-Wall Box
  - IB14X14-AC-W:** 14x14" In-Wall Box with Duplex Surge Protector

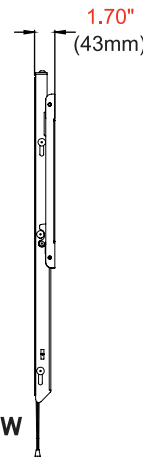
All dimensions = inch (mm)



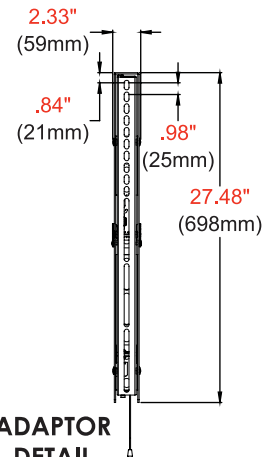
**WALL PLATE DETAIL**



**FRONT VIEW**



**SIDE VIEW**



**ADAPTOR DETAIL**

**Architect Specifications**

The SmartMount® Universal Portrait Flat Wall Mount shall be a Peerless-AV model SFP680 and shall be located where indicated on the plans. Assembly and installation shall be done according to instructions provided by the manufacturer.

Visit [peerless-av.com](http://peerless-av.com) to see the complete line of AV solutions from Peerless-AV, including outdoor displays, kiosks, display mounts, projector mounts, carts/stands, and a full assortment of accessories.

**Peerless-AV**  
2300 White Oak Circle  
Aurora, IL 60502  
USA  
**(800) 865-2112**  
**(630) 375-5100**

**Peerless-AV EMEA**  
Unit 2 Curo Park  
Frogmore, St. Albans  
Hertfordshire, AL2 2DD  
United Kingdom  
**+44 (0) 1923 200 100**

**Peerless-AV B.V.**  
Papendorpseweg 75  
3528 BJ Utrecht  
The Netherlands  
**+31 (0) 70 770 8037**

**Peerless-AV Latin America**  
Av. de las Industrias 413  
Parque Industrial Escobedo  
General Escobedo, N.L.,  
México, 66062  
**+52 (81) 8384-8300**

