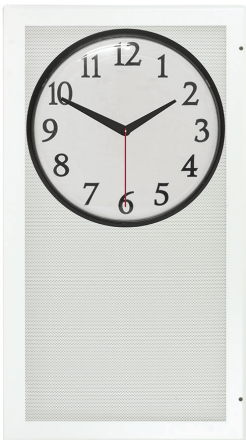


Rear view with subplate



Sample installation with clock.
Clock is not included.



For horizontal or vertical orientation.

The AP-300 provides a simple solution to mount a paging speaker and 12" analog clock in a single installation, a set-up typically used in classrooms, recreation facilities, and professional buildings. The dual-function approach provides a clean appearance with reduced fixture and labor costs. Order speaker, backbox and clock separately.

Note: This model is for use with a recessed backbox.

INCLUDES:

- **Construction:** Two-piece assembly (grille and subplate).
 - The grille is formed from a single piece of 18-gauge certified U.S. steel and features a full-perforation face, integral frame border, and white powder epoxy finish.
 - The subplate has a black powder epoxy finish and features two cutouts—one for a standard 12" analog clock (with provisions/hardware to attach the universal mounting bracket for horizontal or vertical orientation), the other for an 8" EIA speaker (includes mounting hardware).
- **Dimensions:** 27.25" x 17"
- **Installation:**
 - After bracket and speaker installation, the subplate mounts to the grille with four screws.
 - The grille/subplate assembly will mount to a compatible recessed backbox with hinges and screws for easy service access with security.
- **Country of Origin:** Made in U.S.A.

A&E SPECIFICATIONS:

The grille with perforated face and integral frame for the clock/speaker center shall be Lowell model AP-300. It shall be 18-gauge certified U.S. steel with white powder epoxy finish, 27.25" x 17". It shall include a separate black subplate, mounting hardware to install an 8" speaker, and a clock-mounting bracket with hardware for horizontal or vertical installation of a standard 12" analog clock. It shall include hinges and screws to install to a compatible recessed backbox. Speaker, recessed backbox, and clock shall be ordered separately.

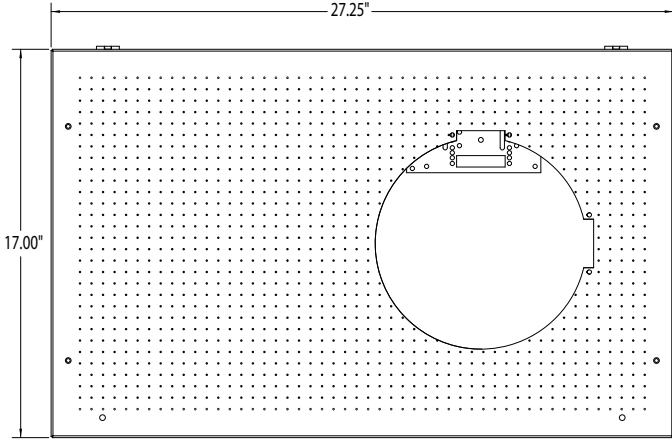
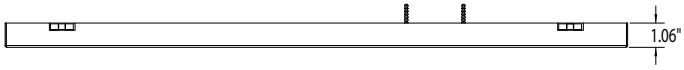
COMPATIBLE COMPONENTS (order separately):

- Speaker: 8" EIA (typically model 810-T72 which includes 25/70V transformer)
- Recessed Backbox: PC312
- Standard 12" Analog Clock: Source from clock supplier.

AP Series Summary (for clock/speaker centers)

Model No.	Description	Dimensions	For Use With
▶ AP-300	Full perforation grille w/subplate	27.25" x 17"	Recessed Backbox PC312
AP-700	Full perforation grille w/subplate	26" x 14.5"	Surface-mount Backbox PC712





GRILLE



Universal mounting bracket
installs with hardware (provided)
for horizontal or vertical installation
of a standard 12" analog clock

