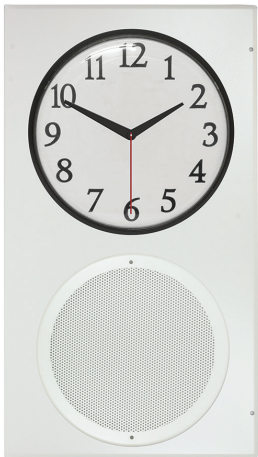




Sample installation with clock.
Clock is not included.



For horizontal or vertical orientation.

The BP-700 provides a simple solution to mount a paging speaker and 12" analog clock in a single installation, a set-up typically used in classrooms, recreation facilities, and professional buildings. The dual-function approach provides a clean appearance with reduced fixture and labor costs. Order speaker, backbox and clock separately.

Note: This model is for use with a surface-mount backbox.

INCLUDES:

- **Construction:**
 - 18-gauge certified U.S. steel panel with white powder epoxy finish features two cutouts—one for an 8" EIA speaker, one for a standard 12" analog clock
 - Detachable, round bezel grille
- **Dimensions:** 26" x 14.5"
- **Mounting Aids:**
 - Hardware to mount an 8" EIA speaker
 - Provisions/hardware to install the universal clock-mounting bracket for vertical or horizontal orientation of a standard 12" analog clock
- **Country of Origin:** Made in U.S.A.

A&E SPECIFICATIONS:

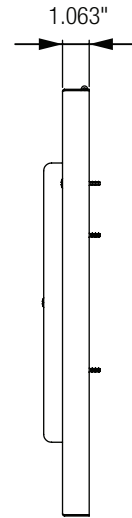
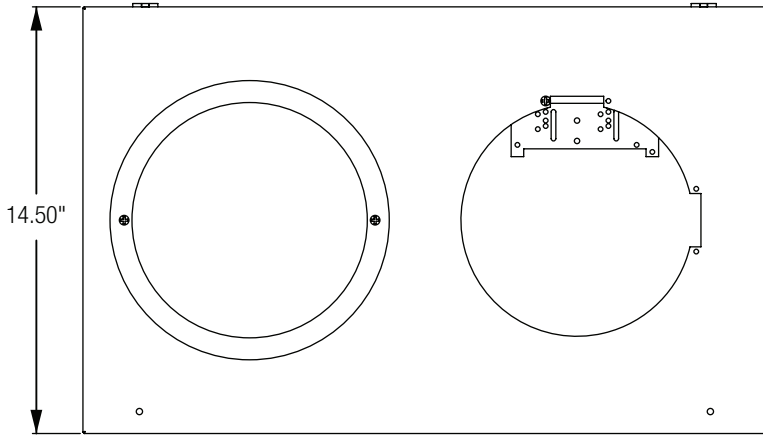
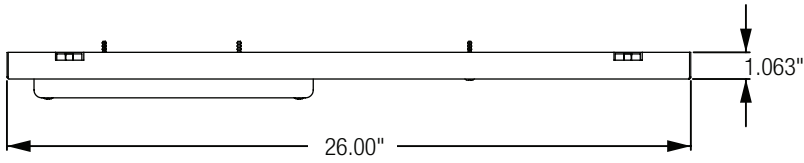
The panel with grille for the clock/speaker center shall be Lowell model BP-700. The panel shall be 18-gauge certified U.S. steel with white powder epoxy finish, 26" x 14.5". It shall feature a solid face plate panel with cutouts for a clock and speaker, a detachable round bezel grille, mounting hardware for an 8" EIA speaker, and a clock-mounting bracket with hardware for horizontal or vertical installation of a standard 12" analog clock. The assembly shall include hinges and screws for installation to a compatible surface-mount backbox. Speaker, surface-mount backbox, and clock shall be ordered separately.

COMPATIBLE COMPONENTS (order separately):

- Speaker: 8" EIA (typically model CT830A-T72 which includes 25/70V transformer)
- Surface-mount Backbox: PC712
- Standard 12" Analog Clock: Source from clock supplier.

BP Series Summary (for clock/speaker centers)

Model No.	Description	Dimensions	For Use With
BP-300	Panel w/round bezel grille	27.25" x 17"	Recessed Backbox PC312
BP-700	Panel w/round bezel grille	26" x 14.5"	Surface-mount Backbox PC712



Universal mounting bracket installs with hardware provided for horizontal or vertical installation of a standard 12" analog clock (by others)

Hinges provide service access

