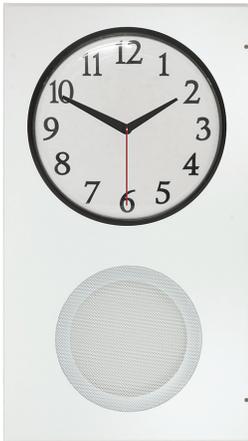


Sample installation with clock.
Clock is not included.



For horizontal or vertical orientation.

The MC-701 provides a simple solution to mount a paging speaker and 12" analog clock in a single installation, a set-up typically used in classrooms, recreation facilities, and professional buildings. The dual-function approach provides a clean appearance with reduced fixture and labor costs. Order backbox, speaker, and clock separately.

Note: This model is for use with a surface-mount backbox.

INCLUDES:

- **Construction:** 18-gauge certified U.S. steel panel with white powder epoxy finish, round perforated area for clear music and paging transmission, and a cutout to mount a standard 12" analog clock
- **Dimensions:** 26" x 14.5"
- **Mounting Aids:**
 - Welded studs to mount an 8" EIA speaker
 - Provisions/hardware to install the universal clock-mounting bracket for vertical or horizontal orientation of a standard 12" analog clock
- **Country of Origin:** Made in U.S.A.

A&E SPECIFICATIONS:

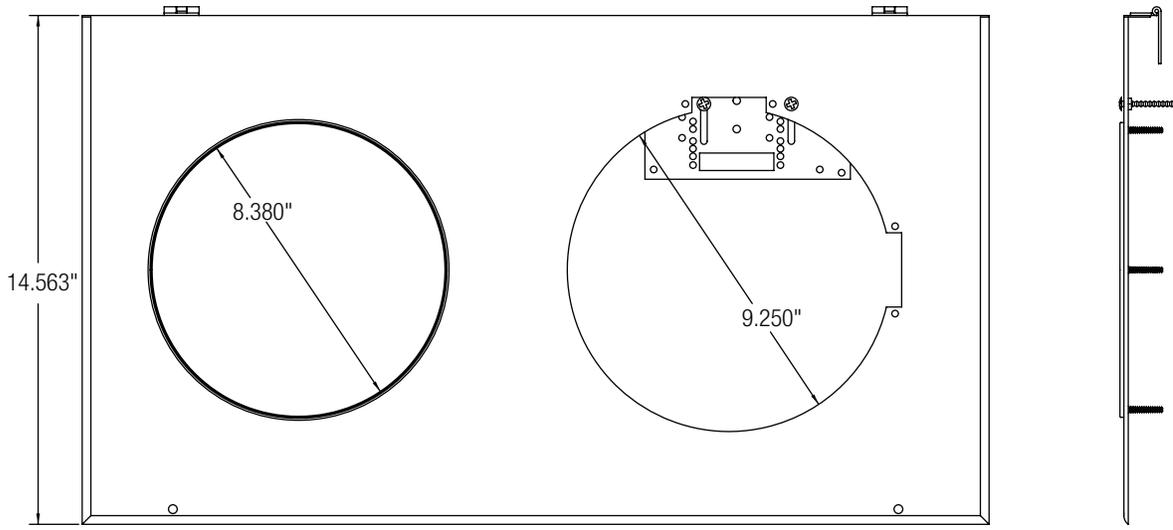
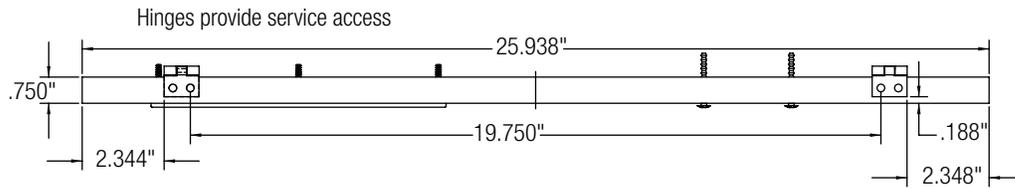
The panel/grille for the clock/speaker center shall be Lowell model MC-701. It shall be 18-gauge steel with white powder epoxy finish, 26" x 14.5". The assembly shall include a solid face plate with round perforated area, welded studs for installing an 8" speaker, and a clock-mounting bracket with hardware for horizontal or vertical installation of a standard 12" analog clock. It shall include hinges and screws for installation to a compatible surface-mount backbox. Speaker, surface-mount backbox, and clock shall be ordered separately.

COMPATIBLE COMPONENTS (order separately):

- Speaker: 8" EIA (typically model CT830A-T72 which includes 25/70V transformer)
- Surface-mount Backbox: PC712
- Standard 12" Analog Clock: Source from clock supplier.

MC Series Summary (for clock/speaker centers)

| Model No. | Description | Dimensions | For Use With |
|-----------|---------------------------------|--------------|-----------------------------|
| MC-301 | Panel w/round perforated grille | 27.25" x 17" | Recessed Backbox PC312 |
| ▶ MC-701 | Panel w/round perforated grille | 26" x 14.5" | Surface-mount Backbox PC712 |



Exploded View
The grille and trim plate are factory-welded.

