



MADE IN  
U.S.A.



CERTIFIED  
U.S. STEEL

**INSTALLATION:** Surface-mount

**FOR SPEAKER SIZE:** 8" EIA

Surface-mount, bi-directional baffle is designed for installation of a single 8" driver to a wall or ceiling. It includes a steel enclosure and two grilles, allowing sound to radiate from two sides to achieve greater sound coverage and increased efficiency in corridors and concourse areas. Order driver separately.

### FEATURES:

- **Construction:** Precision formed 20-gauge certified U.S. steel enclosure with welded corners has a clean square design. White powder epoxy finish.
- **Grilles:** Two (2) steel screw-mount grilles with white powder epoxy finish feature square perforation patterns. The front grille includes four welded speaker studs.
- **Overall Dimensions:** 11.6" x 11.6" x 4.46"
- **Volume:** 600 cu.in.
- **Mounting Bolt Circle:** 7.625"
- **Openings:**
  - One side has a 2" square opening for wire access
  - Punched to flush-mount a standard E.O. box (not included)
- **Country of Origin:** Made in the U.S.A. with certified U.S. steel
- **Hardware (included):** *Note: All screws feature white Phillips Truss-head.*
  - (4) 8-32 hex nuts to mount an 8" driver to the front grille (grille with welded speaker studs)
  - (4) 8-32 x 3/8" screws to mount rear grille (grille without studs) to the enclosure
  - (4) 8-32 x 3/4" screws to mount front grille to enclosure
  - (4) 8-32 x 3/4" screws and (4) 8-32 x 2" screws to flush-mount the enclosure to a standard E.O. box (not included)
- **A&E Specifications:** The bi-directional surface baffle for use with an 8" driver shall be Lowell model BSG-8. The enclosure shall be 20-gauge certified U.S. steel with white powder epoxy finish. It shall include two steel grilles with white powder epoxy finish and square perforation patterns. Assembly measurements shall be 11.6" x 11.6" x 4.46". The baffle shall be made in the U.S.A. with global components.

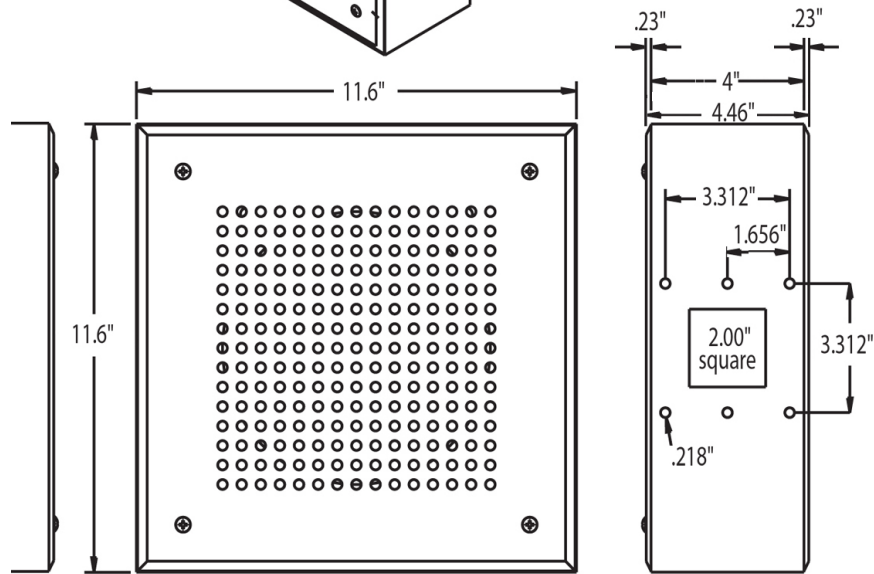
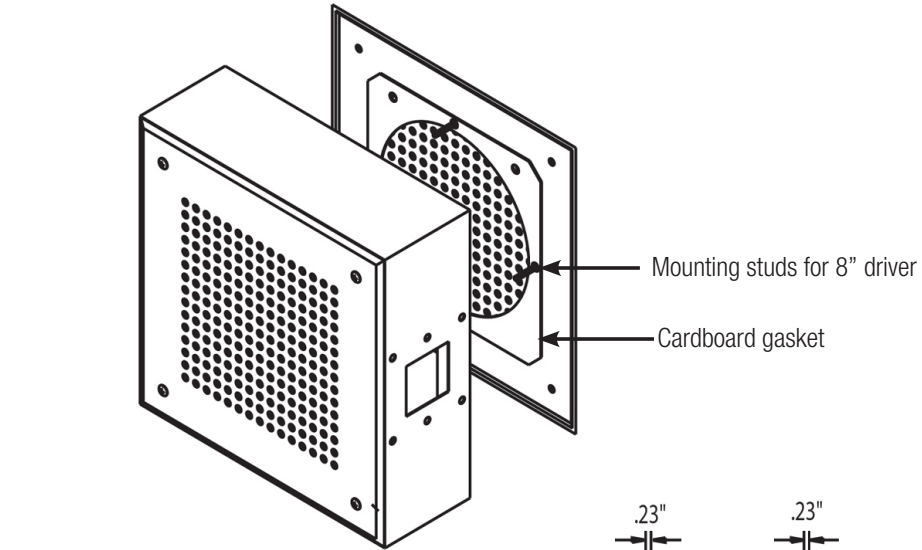
### COMPATIBLE COMPONENTS (order separately):

- **Speakers:** Standard 8" EIA speaker

### Model Summary

| Model No. | For Speaker Size | Grille (2 included) | Measurements          | Volume     | Material | Color |
|-----------|------------------|---------------------|-----------------------|------------|----------|-------|
| BSG-8     | 8"               | Screw-mount         | 11.6" x 11.6" x 4.46" | 600 cu.in. | Steel    | White |





Features 2" square opening and holes for flush installation to a standard E.O. box (not included)

Measurements are inches unless noted otherwise.

