



Yard Master Wireless Series

Battery-Operated Outdoor Projector Screen

User's Guide V1

For latest version visit www.elitescreens.com

Thank you for choosing the Yard Master Wireless projection screen! Please read through this user guide before utilizing the screen. Correct usage and maintenance will ensure a long product life.

Product Description

The **Yard Master Wireless** is a battery-operated outdoor screen for wall and patio installations that brings media room quality to your outdoor spaces. Its heavy-duty steel white finish case beautifully accessorizes your backyard, patio, pool deck or anywhere a gathering for evening movie time is appropriate.

Outdoor Projection Screen Disclaimer

Never leave your projection screen out and exposed to direct sunlight. prolonged exposure to the sun's ultraviolet radiation degrades the chemical bonds causing the material to eventually decompose. grade reflective qualities. Eventually nature will destroy even synthetic materials. For this reason, the **Yard Master Wireless** has a retractable design that allows the material to be drawn up into its protective casing to be shielded from solar radiation.

Care & Use Instructions

◆ Dust, dirt and scratches on the projection surface will affect the picture quality, please take note of the points below to prevent that from occurring:

1. Do not touch the projection surface with your hands
2. Do not write or draw on the projection surface
3. Do not use fingers or sharp objects to point on the projection surface; this will damage the screen material.
4. Use a soft-damp cloth to clean t agents or alcohol.
5. Use clean water when dampening the cleaning cloth and do not rub against the material to clean it.

◆ To avoid damage and injury, the screen should only be operated by adults.

Important Safety & Warning Precautions

Make sure to read this user's guide and follow the procedures below.

- Please retain this user's guide for future reference.
- Handle the unit carefully during transportation to avoid any damages.
- Do not install the unit on uneven or inclined surfaces.
- There are not user serviceable parts in this unit. Do not attempt to disassemble this unit by yourself. No one except authorized technicians can open and make repairs to this unit.
- Disconnect the power cord under the conditions of heavy rain, wind, thunder or lightning.
- Avoid direct sunshine on the projection screen material.
- Keep away from fire sources and high temperature to prevent this device from overheating.
- To avoid possible injury and/or an electric shock, do not attempt to use the screen if there is obvious damage or if there are any evident broken parts.

Understandg the Ingress Protection Rating IPX3

IP Rating Chart

Degree of protection against water



Protected against
water spray at 60
degree angle.

3

WARNING

The Screen's Top Black Drop is already set to its maximum drop distance. There is NO extra top black drop in the roller. Please be aware of this as it will void the warranty.

Individual modifications to this product are prohibited and will void the warranty with the manufacturer. Please contact Customer Service for any questions.

NOTE: This equipment has been tested and found to comply with the limits for a Class B digital device, pursuant to Part 15 of the FCC Rules.

These limits are designed to provide reasonable protection against harmful interference in a residential installation. This equipment generates and can radiate radio frequency energy and, if not installed and used in accordance with the instructions, may cause harmful interference to radio communications.

However, there is no guarantee that the interference will not occur on an installation. If this equipment causes harmful interference to radio or television reception, which can be determined by turning the equipment off and on, the user is encouraged to try to correct the interference by one or more of the following measures.

- ✓ Reorient or relocate the receiving antenna of the device which may be causing the interference.
- ✓ Increase the separation between the screen and the device's receiver.
- ✓ Connect the equipment into a different power outlet other than the device.

Pre-Installation

1. Carefully unpack the screen.
2. Always handle the screen in a leveled position on a clean surface.
3. In order to protect the screen from exposure to stains, keep the screen out of contact with foreign particles such as dust, sawdust, and/or liquids.

NOTE: Wall screws included with this product are complimentary and may not be adequate for all mounting surfaces. Consult with a professional installer or hardware store for proper mounting screws and anchors.

Regardless of the mounting method, the screen should be securely supported so that the vibration or pulling on the viewing surface will not cause the casing to become loose or fall. The installer must ensure that the fasteners used are of adequate strength and suitable for the installation location.

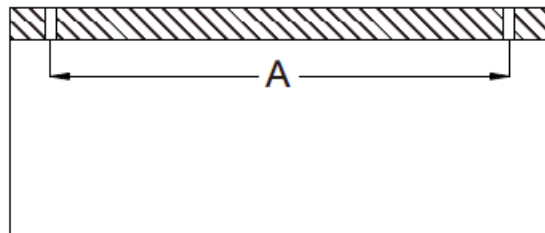
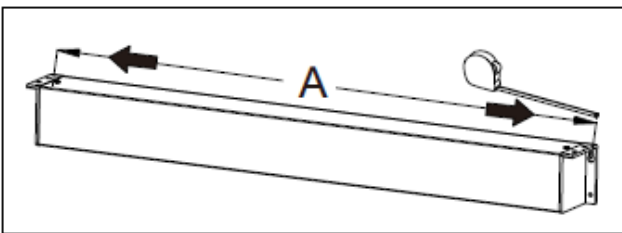
Hardware and accessories list for Yard Master Wireless					
A. RF remote control x1	B. Power adapter/charger x1	C. Drywall anchor x4 (for screen)	D. Screws x 4 (for screen)	E. Drywall anchor x 2 (for remote)	F. Screws x 2 (for remote)
					

INSTALLATION INSTRUCTIONS

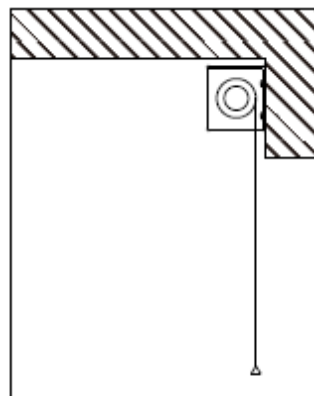
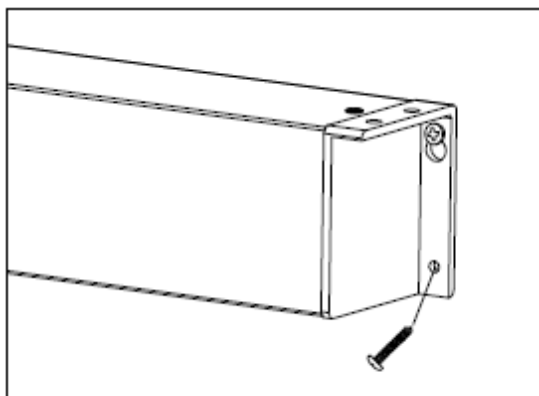
Install the screen in a location where the audience can see the entire screen's viewable area when it is fully extended. For installation assistance, please consult a professional Installer. Elite Screens® is not liable for faulty installations. **Two or more people are required to hang the screen.**

A. Wall Mount (Unscrew and remove D-rings if necessary)

1. Measure and mark the distance of the keyholes on each end of the end cap bracket.
2. After marking the area, drill a hole and insert a screw on each side.

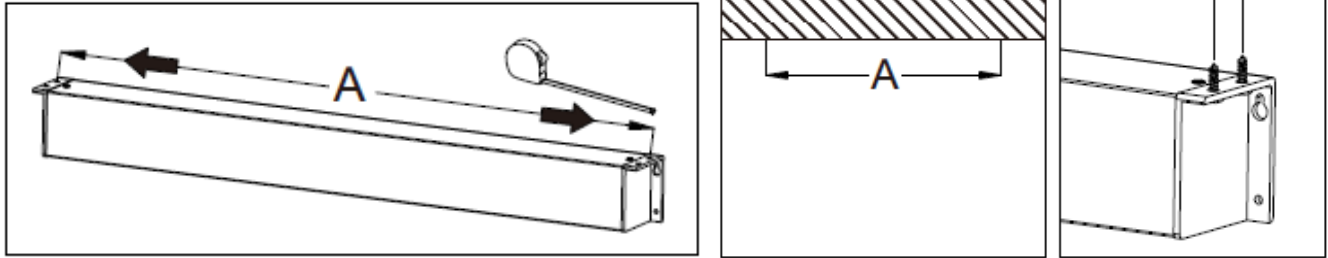


3. Hang the screen and check the screen is level.
4. Install a screw on the bottom end cap bracket to finish installation.

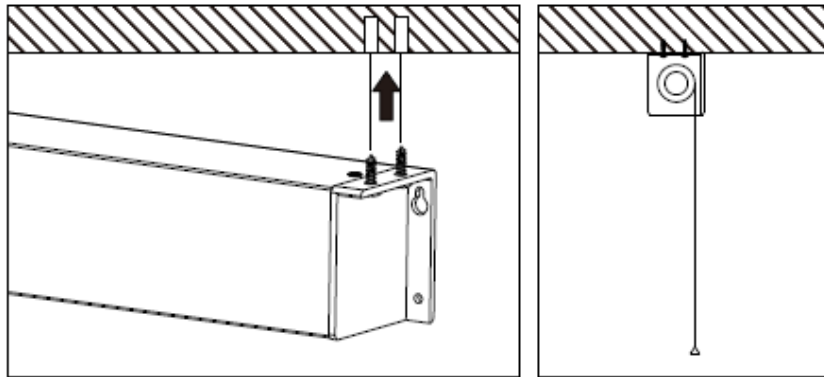


B. Ceiling Mount

1. Remove the D-rings on each side of the end cap bracket.
2. Measure the distance between the ceiling mount points where the D-rings were installed.

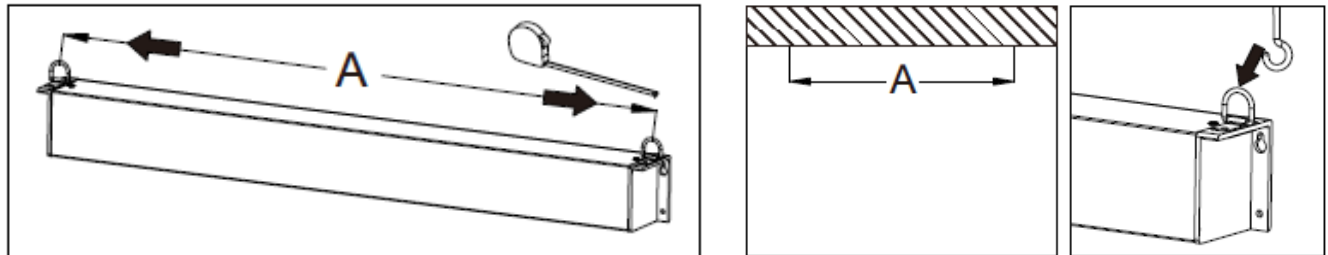


3. After marking the area, drill a hole and insert two screws on each side to mount the screen.

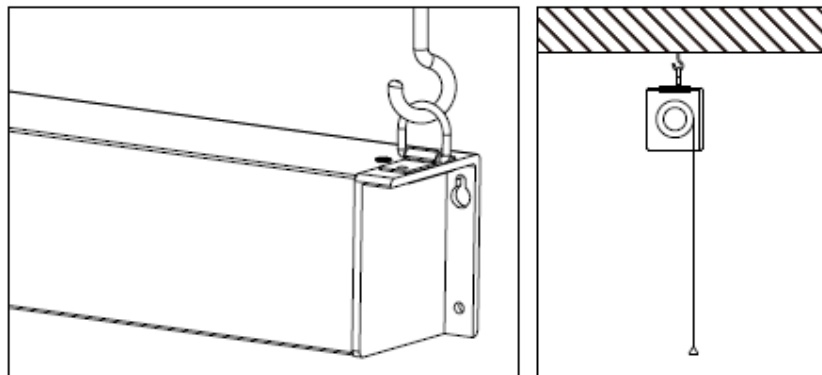


C. Suspended

1. Measure the distance between the D-rings on each end.
2. Drill holes and install screw hooks (not included).



3. Hang the screen from the D-rings.

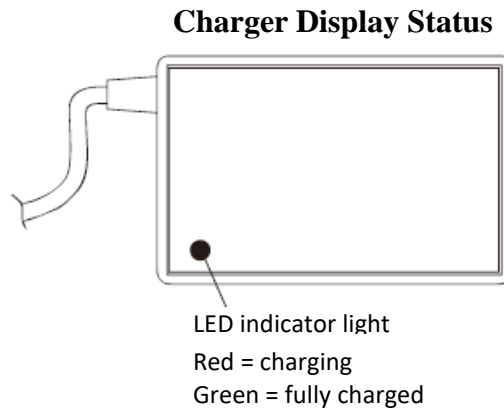


Screen Operation

Electrical Specifications	
Voltage: 100-120V, 60 Hz	Consumption: 36 W
Integrated Battery: DC 14.8 V, 3000 mAh	Power Supply: DC 16.8V, 3A

1. Charging the battery

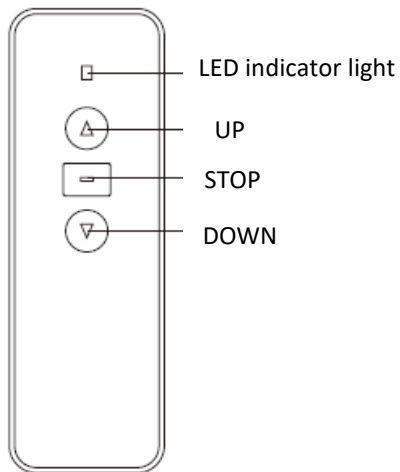
Fully charge the battery before operating the screen. Plug the charging cable to the charging port on the screen and the power cable to an electrical outlet. Once the battery has been fully charged, the LED indicator light will turn green and is ready for use.



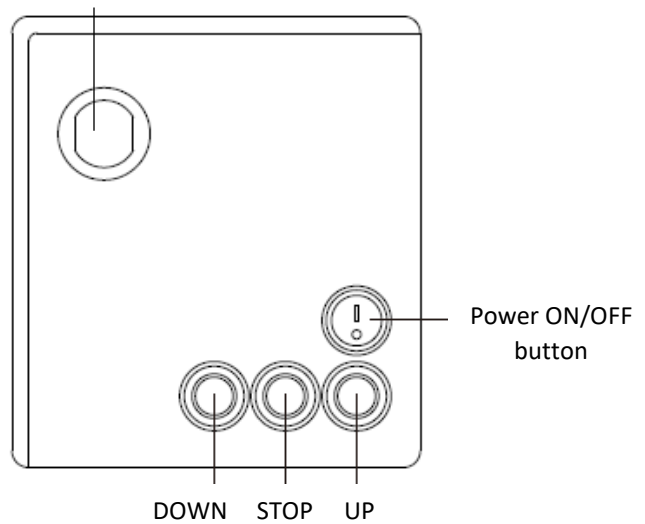
2. Screen Control

The screen can be controlled using the Radio Frequency (RF) remote control or the manual control buttons on the left side of the screen.

Radio Frequency remote



Charging port



LEFT SIDE VIEW OF SCREEN CASE

For more information, technical support or your local Elite Screens® contact, please visit www.elitescreens.com.