

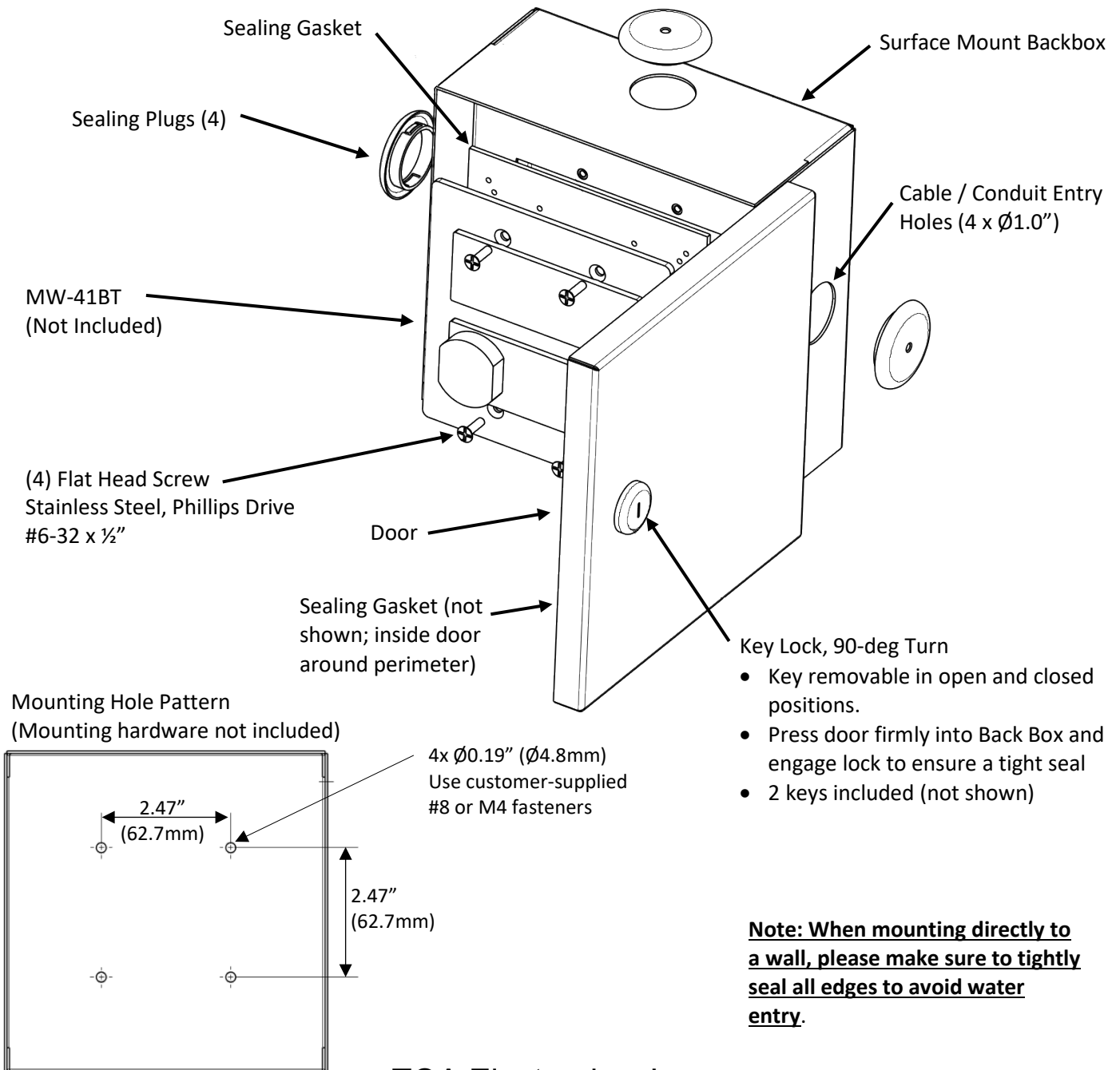
SURFACE MOUNT BACKBOX

BX-41S

1. DESCRIPTION

The BX-41S is a Surface Mount Backbox for the MW-41BT Audio Interface. It is designed to mount directly to a wall in indoor or in mild wet environments when sealed correctly. It uses a key lock mechanism for opening and securing the door.

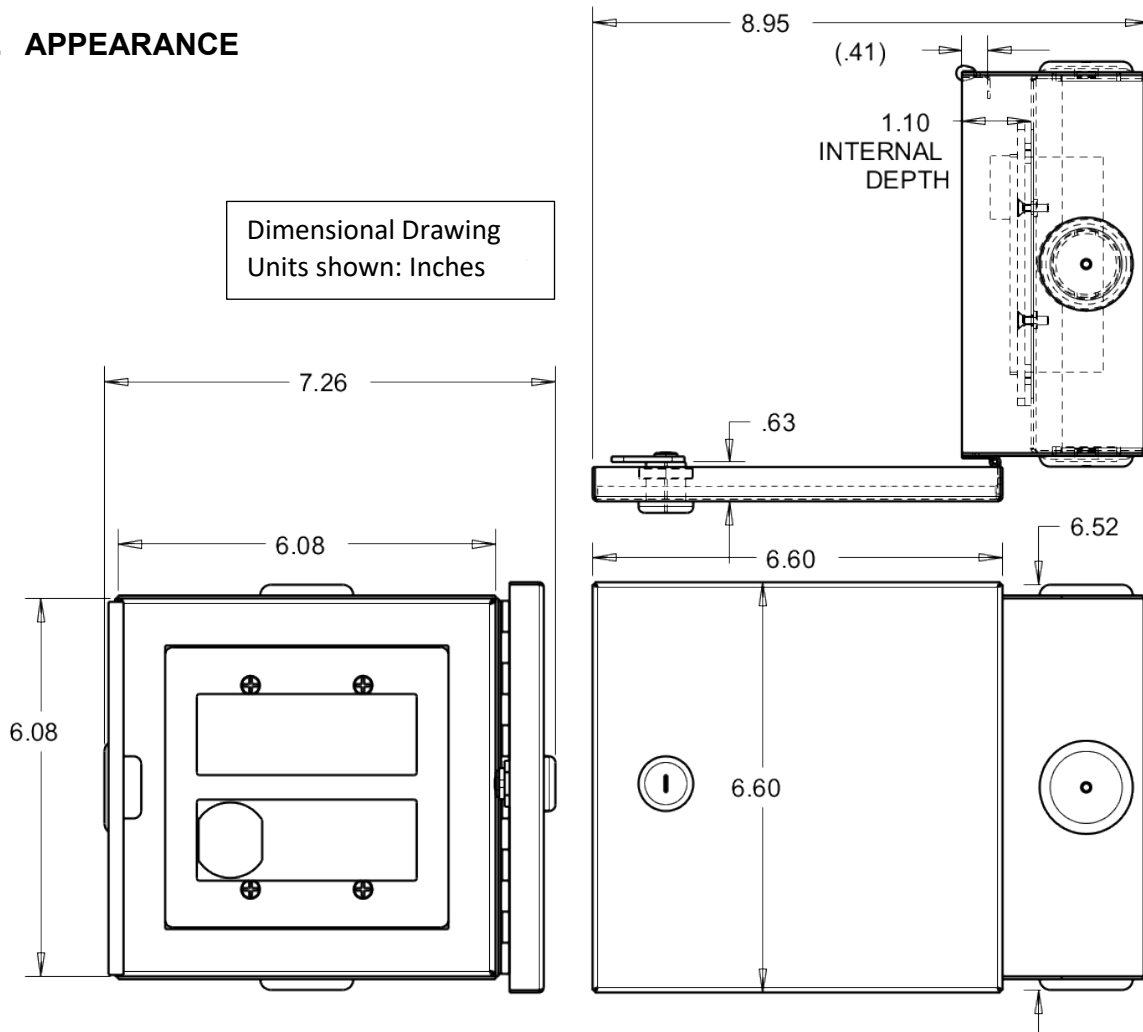
2. INSTALLATION



- Key removable in open and closed positions.
- Press door firmly into Back Box and engage lock to ensure a tight seal
- 2 keys included (not shown)

Note: When mounting directly to a wall, please make sure to tightly seal all edges to avoid water entry.

3. APPEARANCE



4. SPECIFICATIONS

Environment	Indoor / can be installed in mild wet environments when sealed correctly
Operating Temperature¹	0°C to +40°C (32°F to 104°F)
Construction	Enclosure: 18GA Steel, Powder Coat Finish Black Door: 20GA Steel, Powder Coat Finish Black Lock: Made from Stainless Steel or Chrome/Nickel Plated Steel
Dimensions	Shipping: 210 x 210 x 216 mm (8.25 x 8.25 x 8.5 in) Product: See below
Lock	CAM Lock, Flat Key Style, w/ Shutter, Sealed 90-deg Engage/Disengage Lock Key Removable in Both Positions
Weight	Shipping: 1.22 kg (3.4 lbs) Product: 1.54 kg (2.7 lbs)

¹ Note: this is not the MW-41BT operating temperature, to get the audio interface operating temperature please refer to its specification sheet/operations manual