

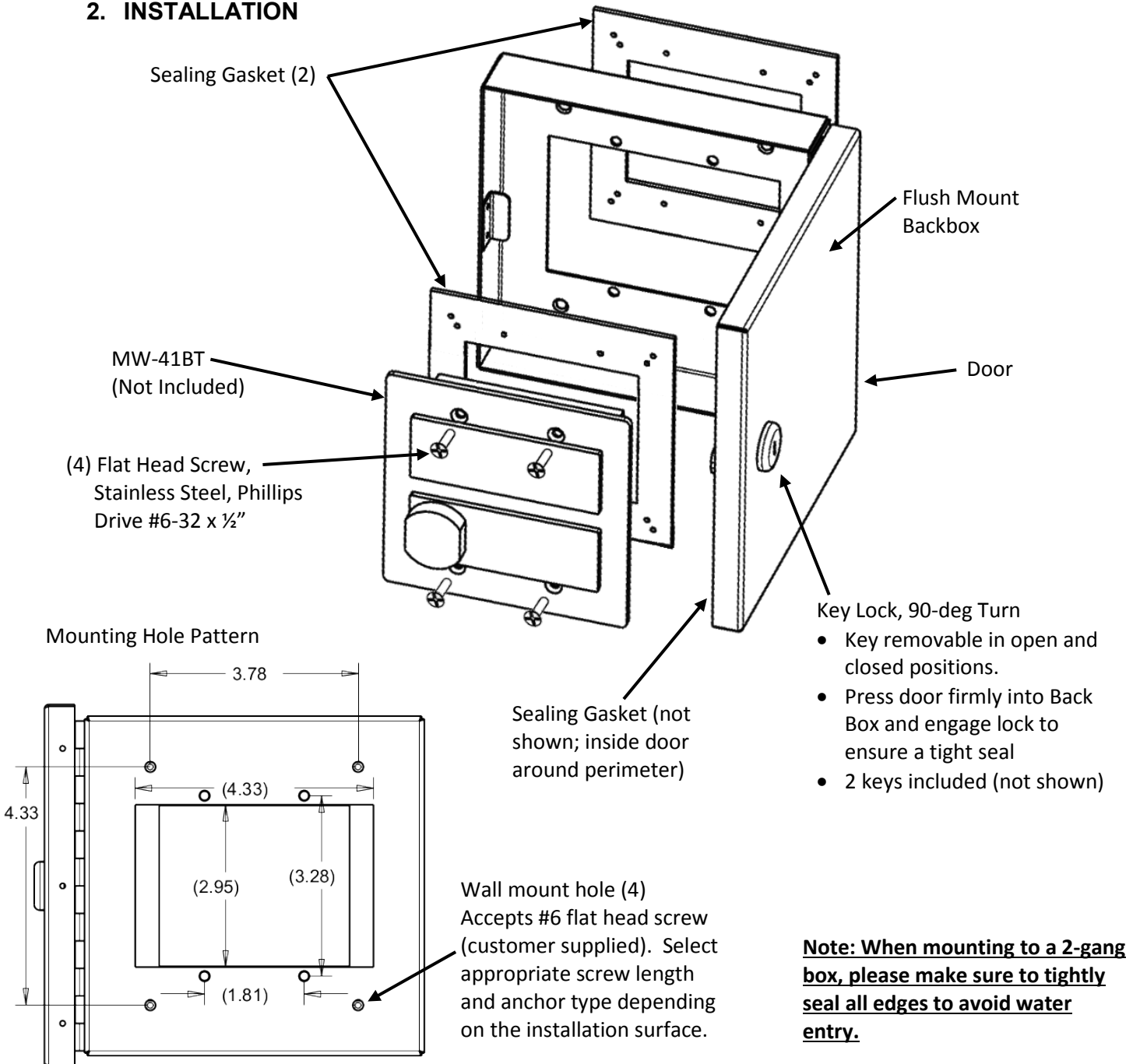
FLUSH MOUNT BACKBOX

BX-41F

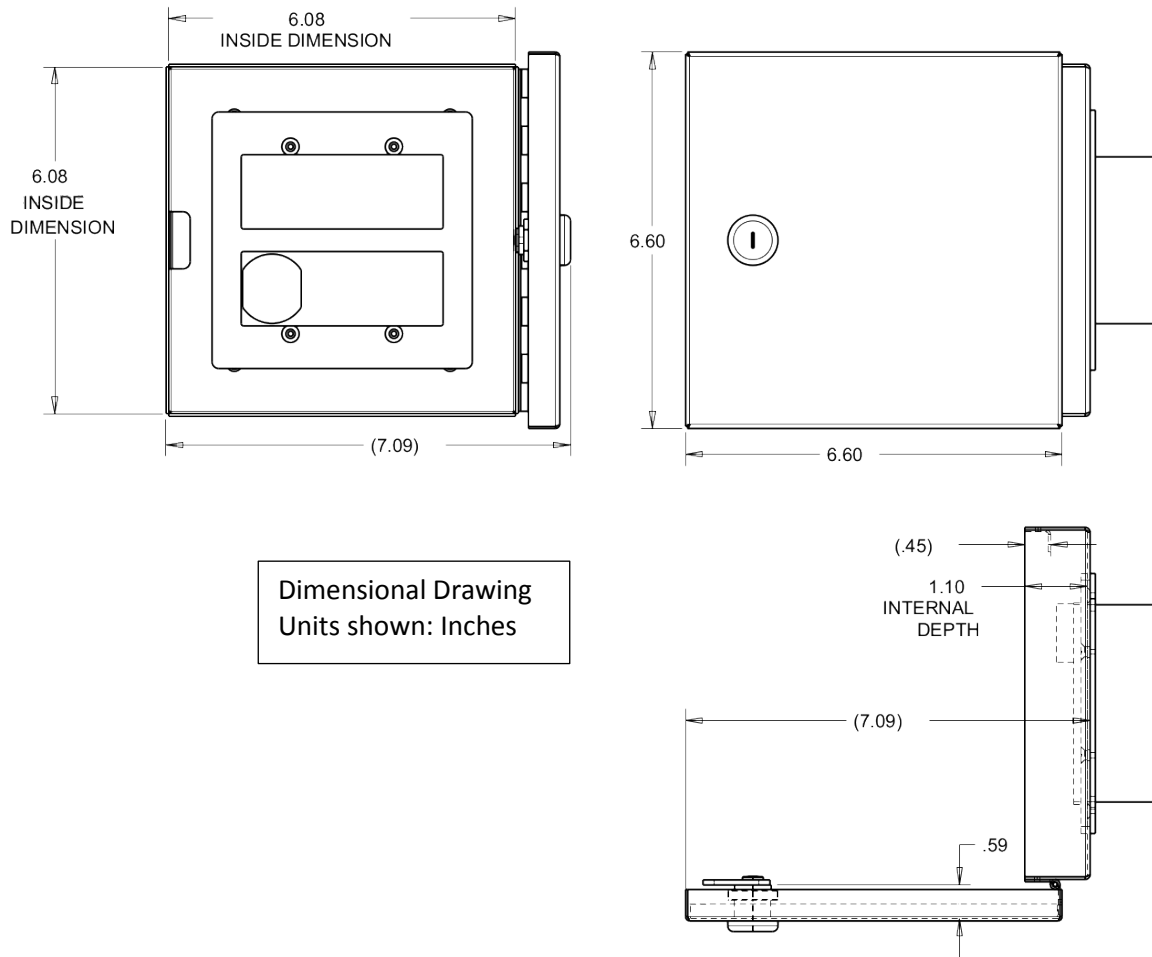
1. DESCRIPTION

The BX-41F is a Flush Mount Backbox for the MW-41BT Audio Interface. It is designed to mount to a 2-gang box in indoor or in mild wet environments when sealed correctly. It uses a key lock mechanism for opening and securing the door.

2. INSTALLATION



3. APPEARANCE



4. SPECIFICATIONS

Environment	Indoor / can be installed in mild wet environments when sealed correctly
Operating Temperature¹	0°C to +40°C (32°F to 104°F)
Construction	Enclosure: 18GA Steel, Powder Coat Finish Black Door: 20GA Steel, Powder Coat Finish Black Lock: Made from Stainless Steel or Chrome/Nickel Plated Steel
Dimensions	Shipping: 210 x 210 x 114 mm (8.25 x 8.25 x 4.5 in) Product: See below
Lock	CAM Lock, Flat Key Style, w/ Shutter, Sealed 90-deg Engage/Disengage Lock Key Removable in Both Positions
Weight	Shipping: 1.00 kg (2.2 lbs.) Product: 0.68 kg (1.5 lbs.)

¹ Note: this is not the MW-41BT operating temperature, to get the audio interface operating temperature please refer to its specification sheet/operations manual