

Introducing National Time & Signal Corporation's ET Series Master Clock – the future of accurate time display for Schools, Hospitals and Industry. The easiest to install and operate UL Listed master clock in the industry. Simply plug into a local area network (LAN) and a power outlet to install. Class II power limited outputs can control a conventional 3-wire clock system. Synchronize the time with the National Institute of Standards and Technology (NIST) or local time servers using the LAN. One relay output is available for auxiliary event programming such as bells or tones and is easily programmable using National's WeCan™ browser based interface from any computer. ETMCU Series adds an LED time display and user interface to set the time without LAN connected.

ETMC-3W Master Clocks

- Sync with local SNTP time server or NIST
- Two 75 Watt Class II 24VAC Outputs
- User-friendly web browser interface
- Relay output for scheduled events (bells, tones, etc.)
- Control output for Booster Power Supplies
- 2U standard 19" rack mounting
- Small footprint 11"x13.5" wall mount
- ETMCU-3W Wall Mount adds Time Display and User Interface
- 120VAC and 240VAC 50/60Hz Models Available



ETMC-3W Rack Mount



ETMC-3W Wall Mount



ETMCU-3W Wall Mount

ET-RPS6-3W Power Supplies

- Booster Power Supply
- Consumes no IP network address
- Adds 75W Run and 75W Reset power Outputs
- May be controlled locally in same Rack using ETMC control output
- May be installed remotely to extend clock circuits
- 2U standard 19" rack mounting
- Small footprint 11"x13.5" wall mounting

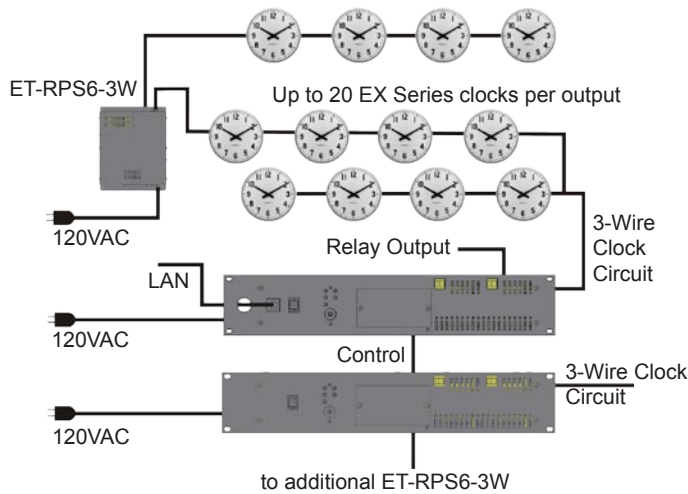


ET-RPS6-3W Rack Mount



ET-RPS6-3W Wall Mount

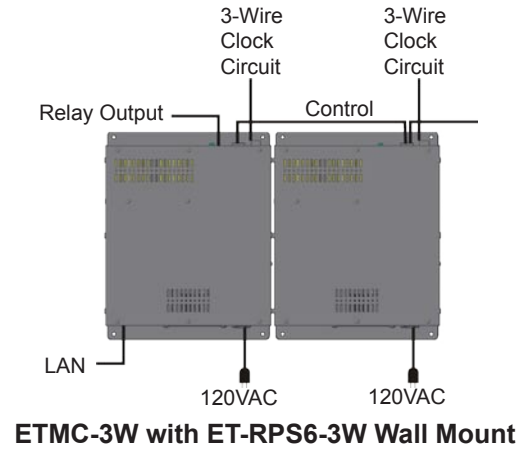
System Configuration



ETMC-3W with ET-RPS6-3W Rack Mount

Secondary Clocks: National Time EX-LL Series analog or conventional 3-Wire clocks by others. National DLX Series digital clocks may share RUN circuit with analog clocks. (4)DLX225 clocks equal current as (1) EX Series, (2)DLX400 clocks equal current as (1) EX Series.

Non Power Limited Booster Power Supplies are available for higher current outputs. See PS-10R, PS-20R and PS-40R Series.



ETMC-3W with ET-RPS6-3W Wall Mount



Configuration and relay event programming through a standard web browser using National's WeCan™ programming interface.

Specifications

Input Power: 120VAC 50/60Hz; 1.5A max. (for 230VAC 50/60Hz, add suffix -HV)

Power/Data Outputs: (2) 75 Watt, Class II Power Limited; 24VAC nominal.

Relay Outputs: (1) Form A, Dry Contact. (Master Clocks only)

Control Output: 24VDC Open collector, 200mA max.

LAN: 10/100Mbit auto negotiating; TCP/IP; DNS; DHCP; SNTP; TIME; HTTP; FTP protocols supported

Rack Mount Dimensions:

19" Rack, 2U footprint. 14" Deep; 16/18ga Painted Galvanized Steel

Wall Mount Dimensions:

11"W x 13.5" H x 3.5"D, 18ga Painted Galvanized Steel



Ordering Information

| Part No. | Description |
|---------------|-------------------------------------------------------------------------------------------------|
| ETMC-3W-RM | ET Master Clock; 75W 3-Wire Clock Circuit; 1-Relay Output; 120VAC, Rack Mount |
| ETMC-3W-WM | ET Master Clock; 75W 3-Wire Clock Circuit; 1-Relay Output; 120VAC, Wall Mount |
| ETMCU-3W-WM | ET Master Clock with User Display; 75W 3-Wire Clock Circuit; 1-Relay Output; 120VAC, Wall Mount |
| ET-RPS6-3W-RM | ET Booster Power Supply; 75W 3-Wire Clock Circuit; 120VAC, Rack Mount |
| ET-RPS6-3W-WM | ET Booster Power Supply; 75W 3-Wire Clock Circuit; 120VAC, Wall Mount |

Add Suffix -HV for 230VAC 50/60Hz versions