



Front



Rear



Industry standard steel ceiling grille for 8" speakers has a perforated center, contoured edge and white finish.

### FEATURES:

- **Construction:** Precision formed from single piece of 20-gauge steel, reinforced with 60-degree peripheral flange. Grille with white powder epoxy finish features perforated center, clean contoured edge.
- **Overall Dimensions:** 12.875" diameter
- **Mounting Projection:** 0.25"
- **Mounting Bolt Circle:** 11.25" diameter (four 0.25" holes spaced at 90-degree intervals).
- **Speaker Stud Circle:** 7.687" diameter
- **Country of Origin:** Made in USA with certified US steel
- **Hardware (included):**
  - (4) 8-32 x 1" welded studs with nuts to mount a speaker
  - (4) 8-32 x 1-1/2" screws to mount speaker/grille assembly to an enclosure
- **A&E Specifications:** The grille for 8" speakers shall be Lowell model WB-8. It shall be fabricated one-piece 20-gauge steel with white powder epoxy finish, reinforced with a peripheral flange of 60-degrees. The diameter shall be 12.875" with mounting projection of 0.25". The grille shall have four 0.25" holes spaced at 90-degree intervals on an 11.25" bolt circle to mount to a backbox or mounting ring. It shall include white screws to mount an enclosure and welded studs to mount an 8" speaker.

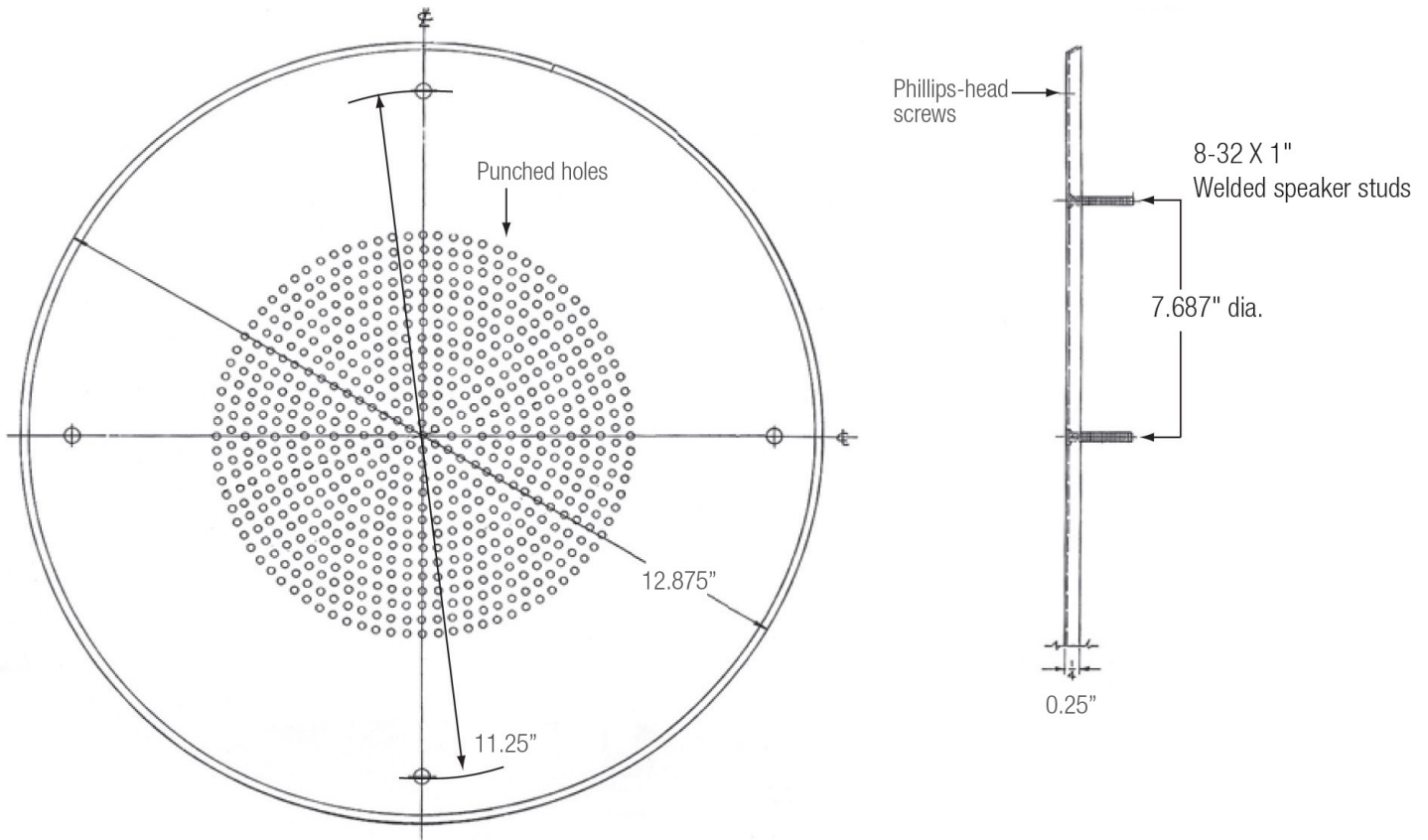
### COMPATIBLE COMPONENTS (order separately):

*Note: Grilles are designed to work with speakers, enclosures, and mounting accessories listed on this specification sheet. Using the grille to install speakers without a metal enclosure may not meet the requirements of all local and national electrical and building codes. The installer should request approval of the installation method from the Authority Having Jurisdiction (AHJ) before installing the speaker system.*

Application	Speaker	Enclosure	Mounting Aids
RECESSED in Tile Ceiling with enclosure	8" EIA	8XD4, 8XD4-P, 8XD4-S, 8PSBX, XCP84, XCP84-S, XCP87, XCP810	LBS8, LBS8-R1 (t-bridge)
		CP84, CP87, CP810, DX108	LBS8-CP (t-bridge)
RECESSED in Tile Ceiling without enclosure	8" EIA	-----	LBS8, LBS8-R1 (t-bridge)
RECESSED Before Drywall Installed with enclosure	8" EIA	CP84, CP87, CP810, DX108	SS Series (rails)
		8XD4, 8XD4-P, 8XD4-S, 8PSBX, XCP84, XCP84-S, XCP87, XCP810	PR8-1624 (rough-in bridge)
RECESSED Before Drywall Installed without enclosure	8" EIA	-----	PR8-1624 (rough-in bridge)
RECESSED in Existing Drywall with enclosure	8" EIA	BME84, BME87	-----
RECESSED in Existing Drywall without enclosure	8" EIA	-----	RMP8 (ring)

*Note: Robust coaxial speakers, such as Lowell 8A50 or 8P100, require a large volume enclosure (greater than 4"D).*





**WARNING!** Speaker installation should only be performed by experienced qualified professionals with knowledge of load-rated hardware and safe installation, mounting, and rigging techniques. Improperly installed equipment can result in property damage, personal injury, death, and/or liability to the installing contractor. The speaker system must be mounted in accordance with all local, state, and federal codes and regulations and the installation must conform to industry standard practices. It is the responsibility of the installer to furnish all installation hardware, rigging hardware, and safety or restraint cables to be used. Before installation, it is the responsibility of the installer to consult a licensed mechanical or structural engineer to evaluate and certify the structural integrity and safety of any mounting method and the suitability of that method to be used to mount the loudspeaker to the building structure in this particular installation. Lowell Manufacturing is not responsible for the use, misuse, misapplication, or unsafe installation of this loudspeaker product.

