

# LCT620AD LCT620AD-G



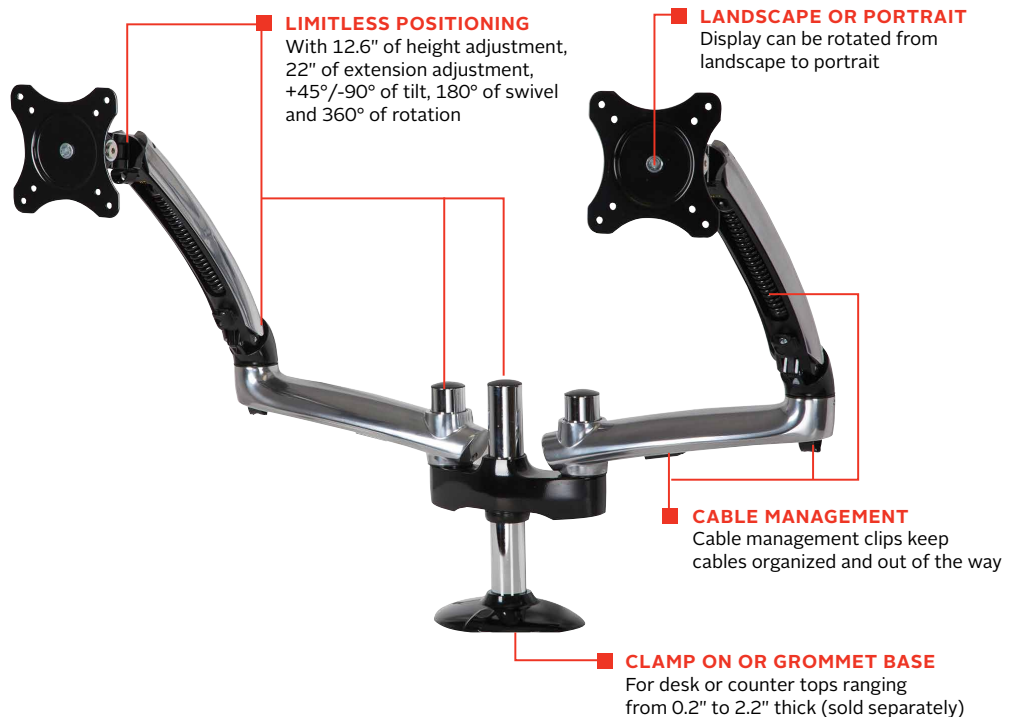
	<b>Mounting Pattern</b>	<b>Max Load</b>
	75 x 75, 100 x 100mm	8.4lb to 17.8lb (3.8kg to 8.1kg)

# Dual Monitor Desktop Arm Mount

FOR UP TO 38" MONITORS

The LCT620AD and LCT620AD-G Desktop Monitor Mounts feature two attractive height adjustable articulating arms that provide perfect ergonomics with optimum monitor positioning for virtually all users. Choose between a clamp-on or grommet mounting base for limitless mounting options on any desktop or countertop surface between ½" to 2" (12 to 55mm) thick.

- Articulating arms allow monitors to be adjusted to the perfect ergonomic position to help reduce eye, back and neck strain
- Accommodates different monitor weights ranging from 8.4lb to 17.8lb (3.8kg to 8.1kg)
- Smooth and effortless arm movement provided by bushings at all pivot points
- Compatible with VESA® 75 x 75mm and 100 x 100mm mounting patterns
- Monitors can be positioned anywhere from 2.00" to 20.50" (50 to 502mm) above the desktop surface measured at the center of the adaptor
- Both style mounting bases accommodate a desktop or counter thickness of 0.2" to 2.2" (5 to 55mm) thick
- Expertly finished polished aluminum arm and black base with chrome pole



LCT620AD-G's Grommet base works with through holes in the desk or counter top



LCT620AD's Clamp on base easily clamps to edge desk or counter top



Cable management keeps a clean appearance



Please visit [peerless-av.com/en-us/patents](http://peerless-av.com/en-us/patents) for patent information.

<b>LCT620AD</b>	Clamp-on Base Dual Monitor Desktop Arm Mount for up to 38" Monitors
<b>LCT620AD-G</b>	Grommet Base Dual Monitor Desktop Arm Mount for up to 38" Monitors

Product Specifications

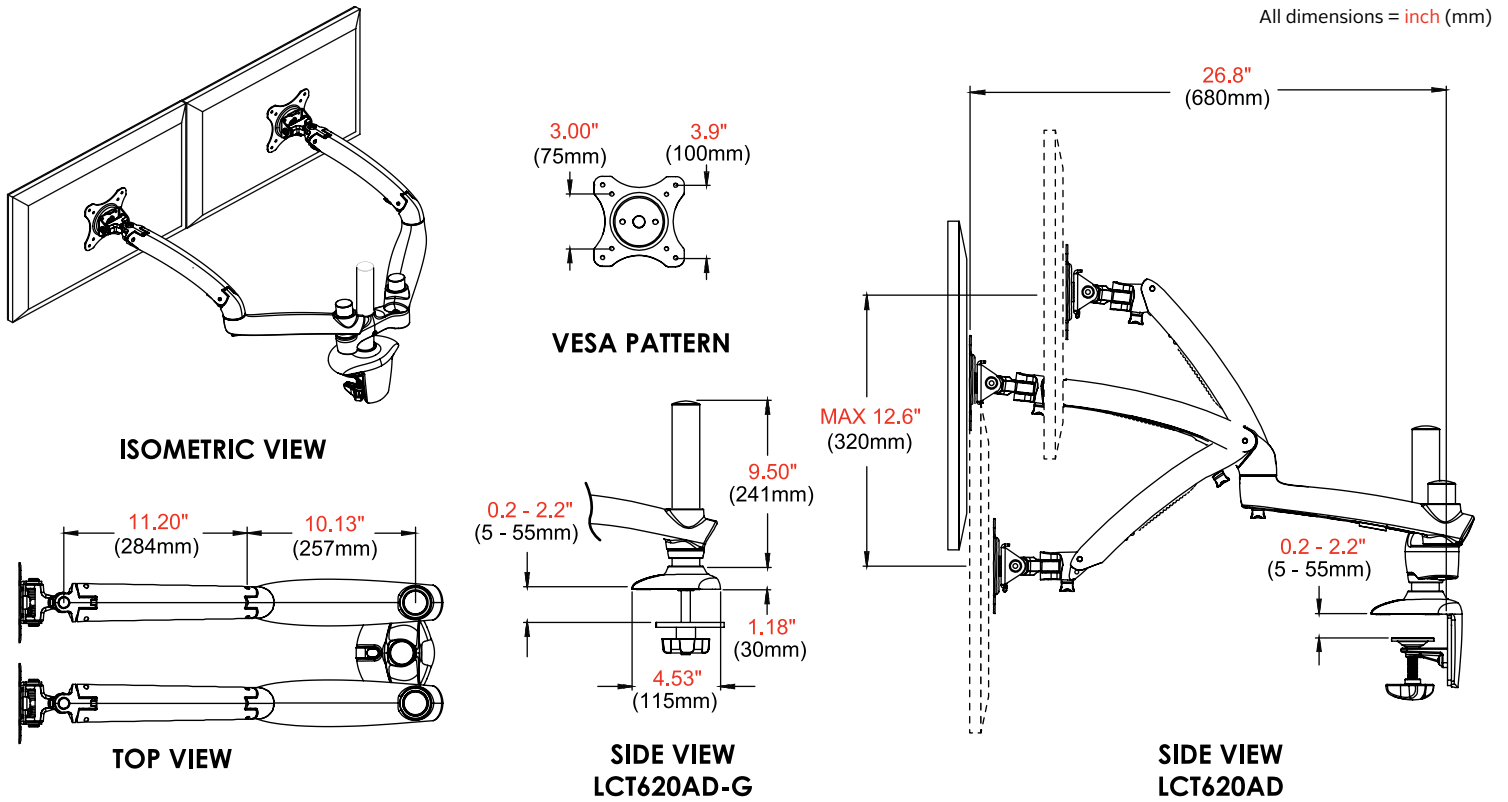
	DIMENSIONS (W X H X D)	PRODUCT WEIGHT	LOAD CAPACITY	FINISH	AVAILABLE COLORS
<b>LCT620AD</b> <b>LCT620AD-G</b>	(See Drawing)	19.80lb (9kg)	8.4lb to 17.8lb (3.8kg to 8.1kg) per arm	High Gloss	Polished Aluminum with Black Base and Accents

Package Specifications

	PACKAGE SIZE (W x H x D)	PACKAGE SHIP WEIGHT	PACKAGE UPC CODE	PACKAGE CONTENTS	UNITS IN PACKAGE
<b>LCT620AD</b> <b>LCT620AD-G</b>	18.07" x 10.63" x 16.26" (459 x 270 x 413mm)	20.90lb (9.5kg)	735029279877 735029304012	Base with Pole, 2 Arms w/Adaptors, Dual Arm Mount, Hardware & Mounting Instructions	1

Accessories

<b>ACC-GBASE:</b>	Grommet Base
<b>ACC328:</b>	Laptop Tray
<b>ACC450:</b>	VESA® 200 x 200mm Accessory Adaptor Plate
<b>ACC918:</b>	Security Fasteners
<b>PTM200:</b>	Universal Tablet Mount



Architect Specifications

The Dual Monitor Desktop Arm Mount shall be a Peerless-AV model LCT620AD(-G) and shall be located where indicated on the plans. Assembly and installation shall be done according to instructions provided by the manufacturer.

Visit [peerless-av.com](http://peerless-av.com) to see the complete line of AV solutions from Peerless-AV, including outdoor displays, kiosks, display mounts, projector mounts, carts/stands, and a full assortment of accessories.

**Peerless-AV**  
2300 White Oak Circle  
Aurora, IL 60502 USA  
  
**(800) 865-2112**  
**(630) 375-5100**  
**Fax: (800) 359-6500**

**Peerless-AV EMEA**  
Unit 3 Watford Interchange  
Colonial Way, Watford  
Herts, WD24 4WP  
United Kingdom  
**+44 (0) 1923 200100**  
**Fax: +44 (0) 1923 200101**

**Peerless-AV Latin America**  
Av. de las Industrias 413  
Parque Industrial Escobedo  
General Escobedo, N.L.,  
México, 66062  
**+52 (81) 8384-8300**  
**Fax: +52 (81) 8384-8360**

