

SR598ML3T



**Mounting Pattern**  
Up to 800 x 600mm  
(31.50" x 23.62")



**Max Load**  
220lb  
(99.8kg)

**SMARTMOUNT.**

# Motorized Height Adjustable Tabletop Cart

FOR 55" TO 80" INTERACTIVE DISPLAYS

Peerless-AV's SmartMount® Motorized Height Adjustable Tabletop Cart was designed to get the most out of an interactive display. The motorized cart creates an ADA compliant solution by allowing a display to be raised to the appropriate height, based on the specific user, with just a touch of a button. A secondary actuator allows the tilt of the display to be adjusted from vertical to completely horizontal. This allows the interactive display to be used in a standard viewing position, drafting table position, or tabletop position. The rear compartment provides a secure area for a PC and power strip, while the cable management pathway protects the cables from snagging or abrasion when the display is raised or tilted. The cart's welded base and locking casters provide a stable foundation for touch applications, and the integrated power cord wrap makes moving the solution simple.

- Display height can be adjusted up to 25.6" (650mm) with the touch of a button
- Universal display adaptor fits mounting patterns from 200 x 200mm to 800 x 600mm
- Open frame display adaptor helps prevent display input interference
- Rear enclosure provides storage for mini PCs such as Shuttle, Dell OptiPlex Micro, HP 260 G2, Lenovo M600 Tiny or Intel NUC, and includes mounting locations for external WiFi antennas
- Corrugated cable pathways route and protect cabling during display movement and positioning
- Cord wrap included for managing surge protector cord
- Safety limit switch automatically reverses direction and stops when a collision is detected in an upward, downward or lateral force
- Includes Peerless-AV® PVP1100-CPL6 6 outlet Power Strip with 15ft cord and 2160 joule rating (15A, 120V, 1800W, EMI/RFI noise filtering)
- Textured black powder coat finish helps hide finger prints and dust



**PRE-ASSEMBLED DESIGN**

Simply attach the display and run the cabling

**CABLE MANAGEMENT ACCESS**

Easily route cabling from the inside compartment to the back of the display

**VERTICAL ADJUSTMENT**

Center of display is adjustable from 34"-60" (864-1524mm) from the floor

**WELDED BASE AND PRE-ASSEMBLED CASTERS**

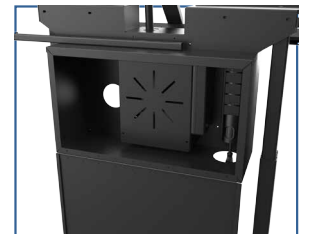
Provides rigidity, stability and quick assembly

**SAFE AND EASY MANEUVERABILITY**

4" (102mm) swivel casters meet UL/CUL requirements



Move your display from a standard viewing position to a flat tabletop, or any angle in between, with the touch of a button.



The rear enclosure includes a premounted surge protector and component mount to secure Mini PCs.



**RoHS**  
2002/95/EC



Complies with the ADA Standards for Accessible Design, Section 308.

✉ info@peerless-av.com

🌐 peerless-av.com

**peerless-AV®**  
Driving Technology Through Innovation

SR598ML3T SmartMount® Motorized Height Adjustable Tabletop Cart for 55" to 80" Interactive Displays

**Product Specifications**

	DIMENSIONS (W X H X D)	PRODUCT WEIGHT	LOAD CAPACITY	FINISH	AVAILABLE COLORS
SR598ML3T	45.76" x 31.11"-68.97" x 28.88" (1162 x 790-1752 x 733mm)	139lb (63.0kg)	220lb (99.8kg) Display	Semi-Gloss Black Powder Coat	Black

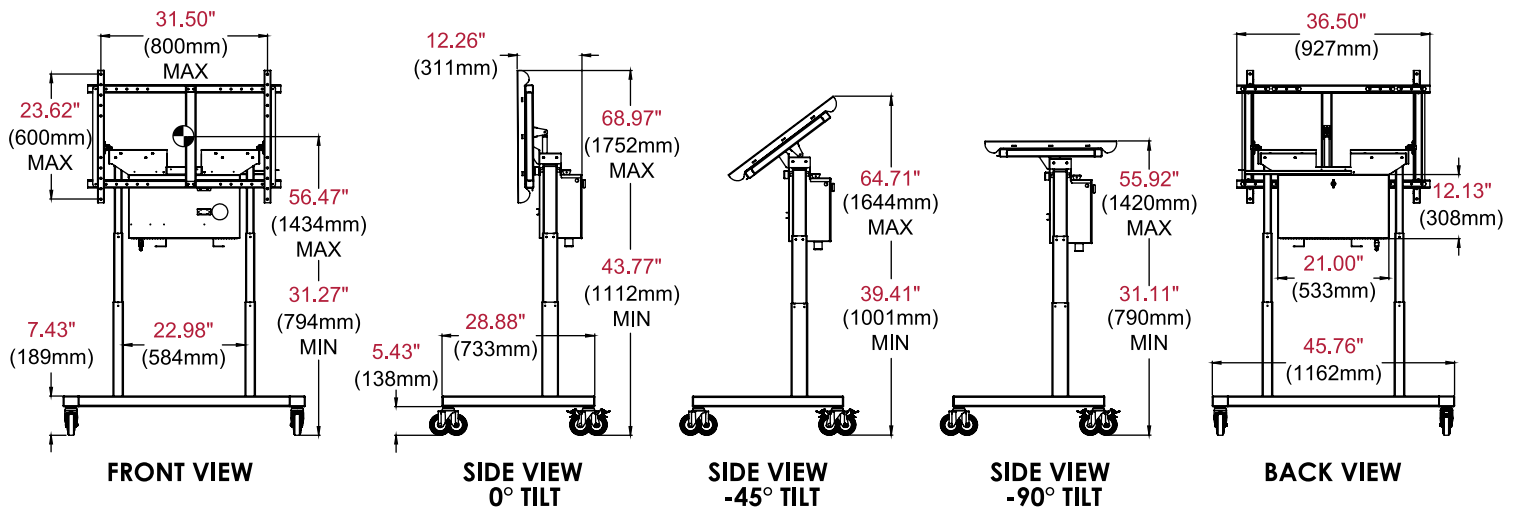
**Package Specifications**

	PACKAGE SIZE (W x H x D)	PACKAGE SHIP WEIGHT	PACKAGE UPC CODE	PACKAGE CONTENTS	UNITS IN PACKAGE
SR598ML3T	47.25" x 13.50" x 37.75" (1200 x 343 x 959mm)	161.5lb (73.3kg)	735029327936	Assembled Base with Motorized Columns and Casters, Rear Enclosure, Universal Display Adaptor, Control Box, Control Switch, Surge Protector, Hardware & Instructions	1

**Accessories**

- ACC310: Feet Accessory
- ACC316: Safety Belt

All dimensions = inch (mm)



**Architect Specifications**

The SmartMount® Motorized Height Adjustable Tabletop Cart shall be a Peerless-AV model SR598ML3T and shall be located where indicated on the plans. Assembly and installation shall be done according to instructions provided by the manufacturer.

Visit [peerless-av.com](http://peerless-av.com) to see the complete line of AV solutions from Peerless-AV, including outdoor displays, wireless, kiosks, digital audio, display mounts, projector mounts, carts/stands, and a full assortment of accessories.

**Peerless-AV**  
 2300 White Oak Circle  
 Aurora, IL 60502 USA  
**(800) 865-2112**  
**(630) 375-5100**  
**Fax: (800) 359-6500**

**Peerless-AV EMEA**  
 Unit 3 Watford Interchange  
 Colonial Way, Watford  
 Herts, WD24 4WP  
 United Kingdom  
**+44 (0) 1923 200100**  
**Fax: +44 (0) 1923 200101**

**Peerless-AV Latin America**  
 Ave de las Industrias 413  
 Parque Industrial Escobedo  
 Escobedo, N.L.,  
 Mexico 66062  
**+52 (81) 8384-8300**  
**Fax: +52 (81) 8384-8360**

