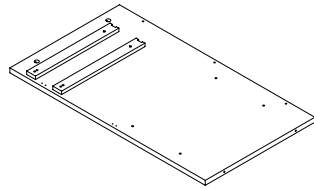
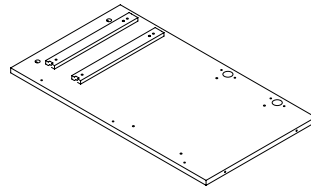


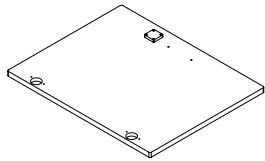
### Parts List



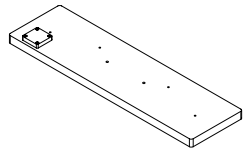
**A** x1



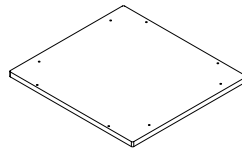
**B** x1



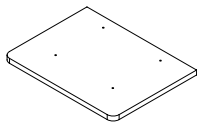
**C** x1



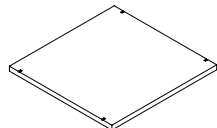
**D** x1



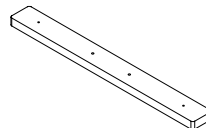
**E** x1



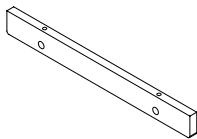
**F** x2



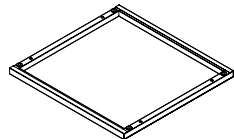
**G** x1



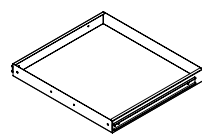
**H** x1



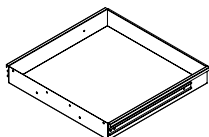
**J** x1



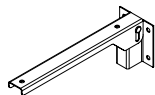
**K** x1



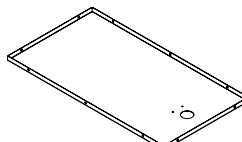
**L** x1



**M** x1



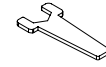
**N** x4



**P** x1

### Tools Required

- Phillips Screwdriver



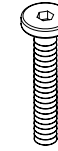
**15** x1



**16** x1



**1** x34  
M6x12



**2** x4  
M6x36



**3** x14  
M4x16



**4** x6



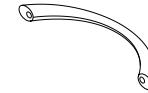
**5** x4  
M3x15



**6** x6



**7** x6



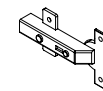
**8** x3



**9** x6



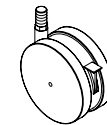
**10** x4



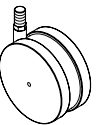
**11** x2



**12** x2

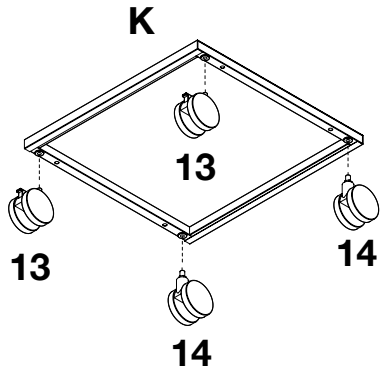


**13** x2

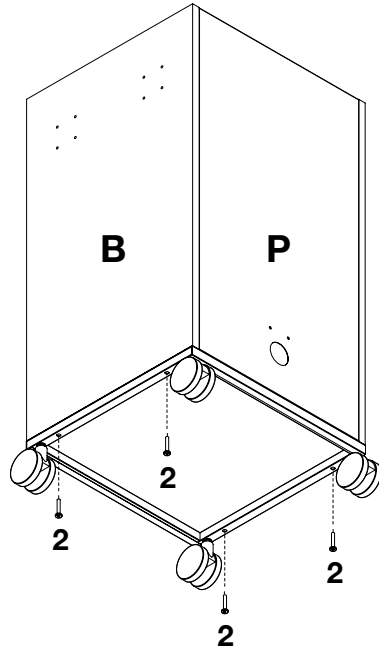


**14** x2

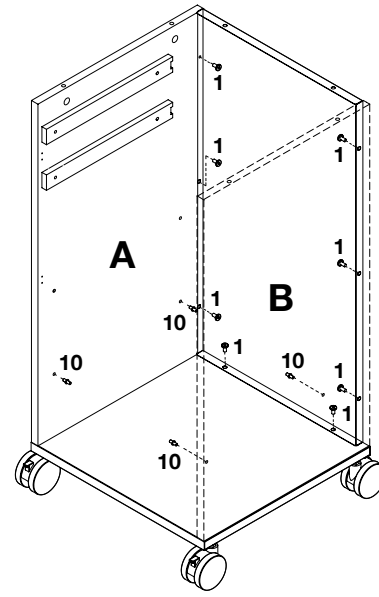
1



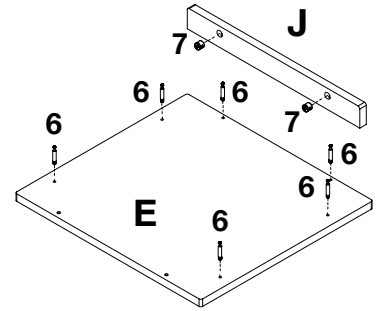
2



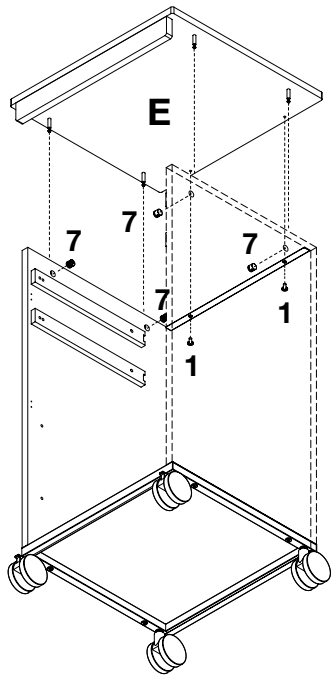
3



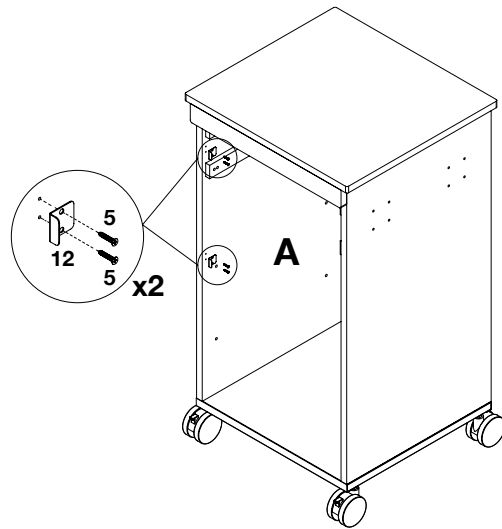
4



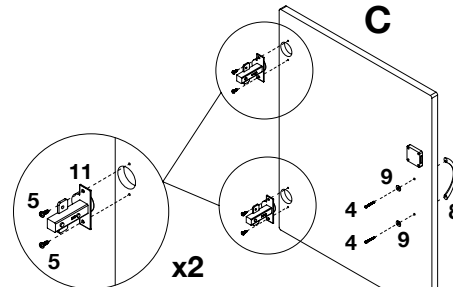
5



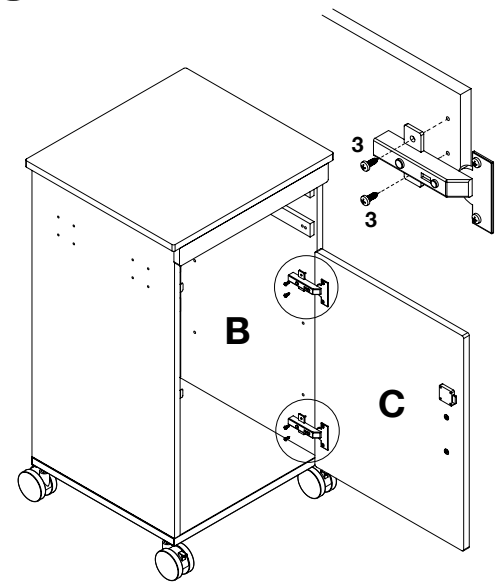
6



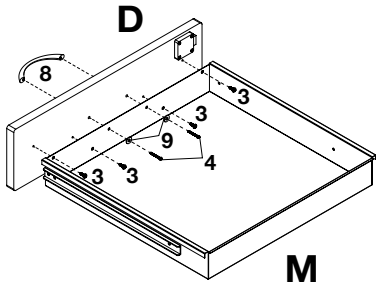
7



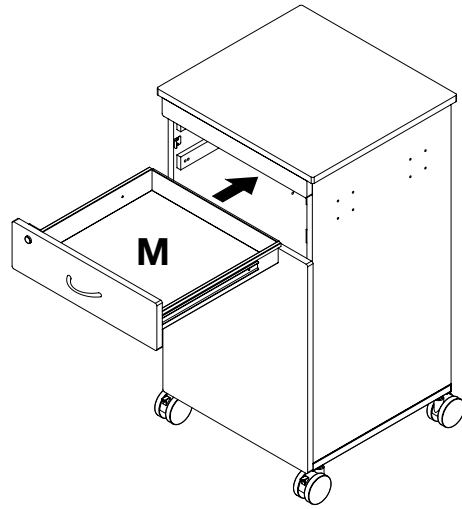
8



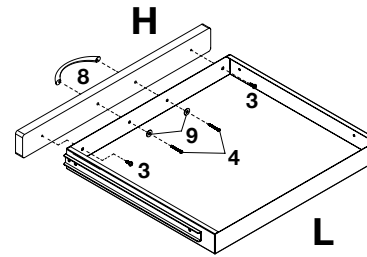
9



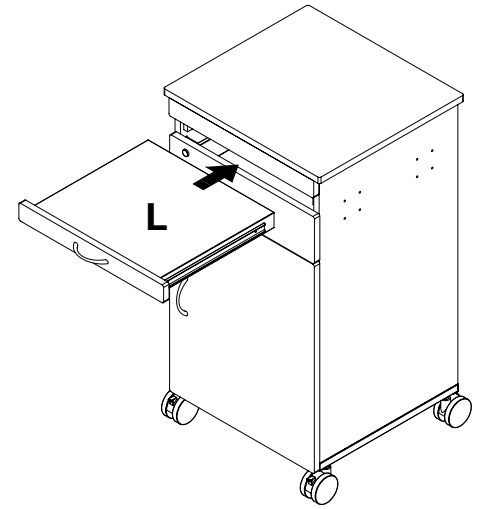
10



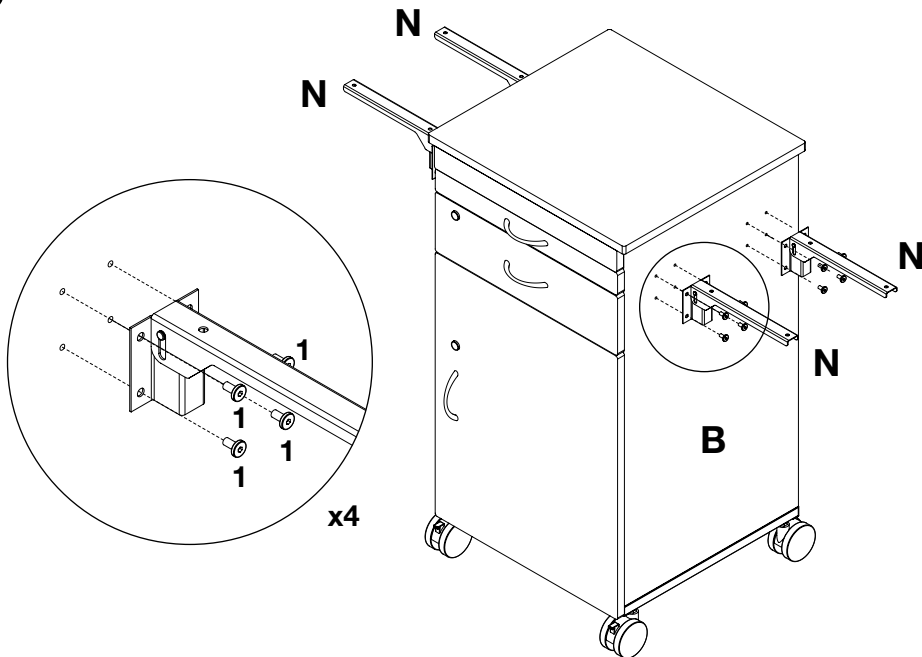
11



12



13



14

