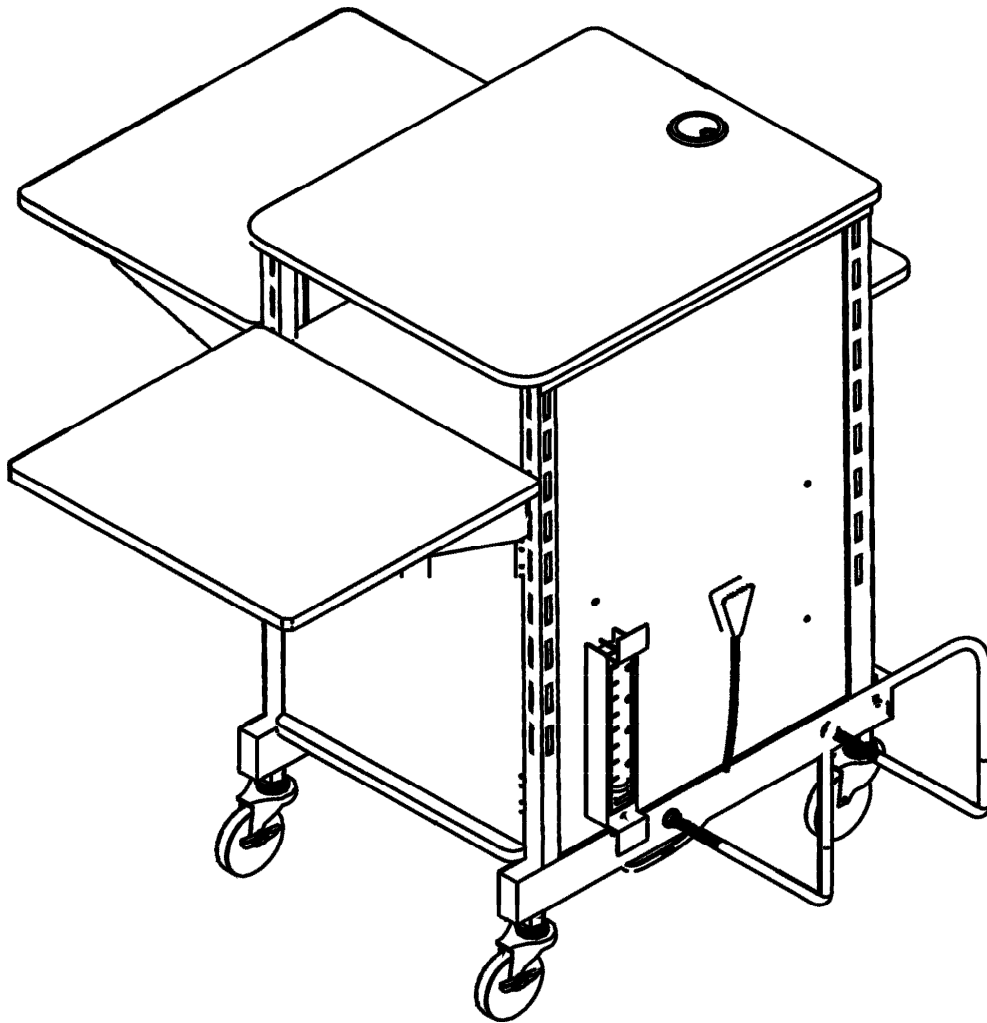




JUMBO PRESENTATION CART PLUS

PRODUCT HANDBOOK



MODEL # PRC 450 KIT*

***SEE IMPORTANT NOTICE ON PAGE #2**



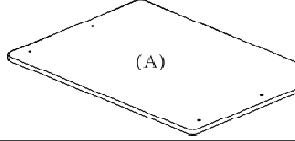
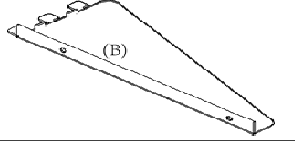
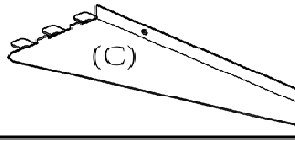
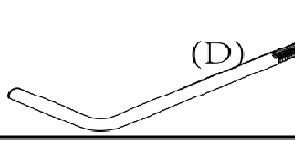
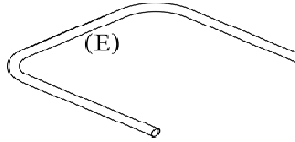
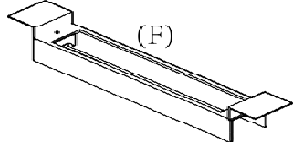
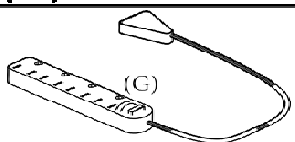
Important Notice: For customers that ordered the PRC 450, first assemble the box labeled PRC 400 and then proceed to assemble this box, to the unit.

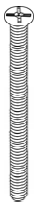
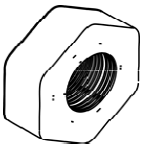
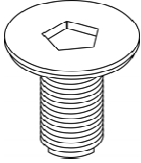
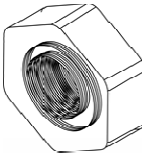
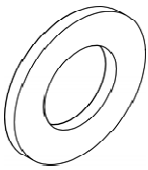

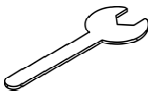
Dear Valued Customer,

Although extreme care goes into manufacturing and packing of this package, mistakes are possible. If you encounter any missing parts or difficulty in assembly, etc. please call our toll free customer service line at 1-800-261-4112 for courteous and immediate resolution to your problem.

Sincerely

Oklahoma Sound

Parts List	
(A) 1PC	(B) 1PC
	
(C) 1PC	(D) 2PC
	
(E) 1PC	(F) 1PC
	
(G) 1PC	
	

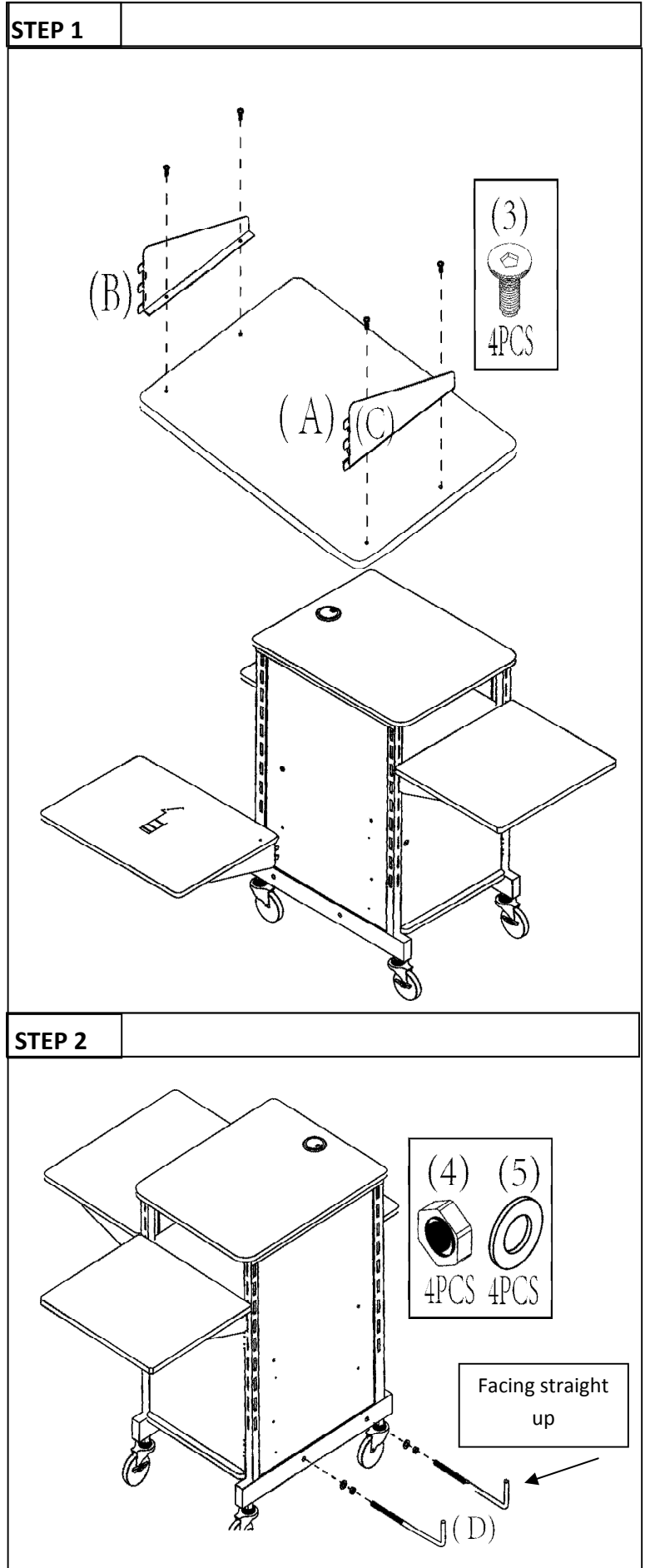
Hardware List					
(1)			(2)		
		2 pcs			2 pcs
(3)			(4)		
		4 pcs			4 pcs
(5)			(6)		
		4 pcs			1 pcs
(7)					
		1 pcs			

Extra Wide Side Shelf:

- a) Begin by identifying your side shelf panel #A and laying it down on a clean and soft surface with the holes facing upwards.
- b) Locate the two supporting brackets #B and #C and lay them over the panel as shown. The three tabs at the end of the bracket should be at the edge of the panels as shown. The two brackets should be facing inwards as shown.
- c) Align the two holes on the brackets with the embedded t-nuts in the panel.
- d) Once they are aligned use four bolts #3, two for each bracket and thread them through the holes on the bracket and into the t-nut.
- e) Use the hex key #6 to tighten the bolts .
- f) To attach the adjustable shelf to either side of the unit, align the three tabs on both brackets, with the slots on the edges of the side panels. Once aligned slip it in and gently push the shelf downwards to lock in place.

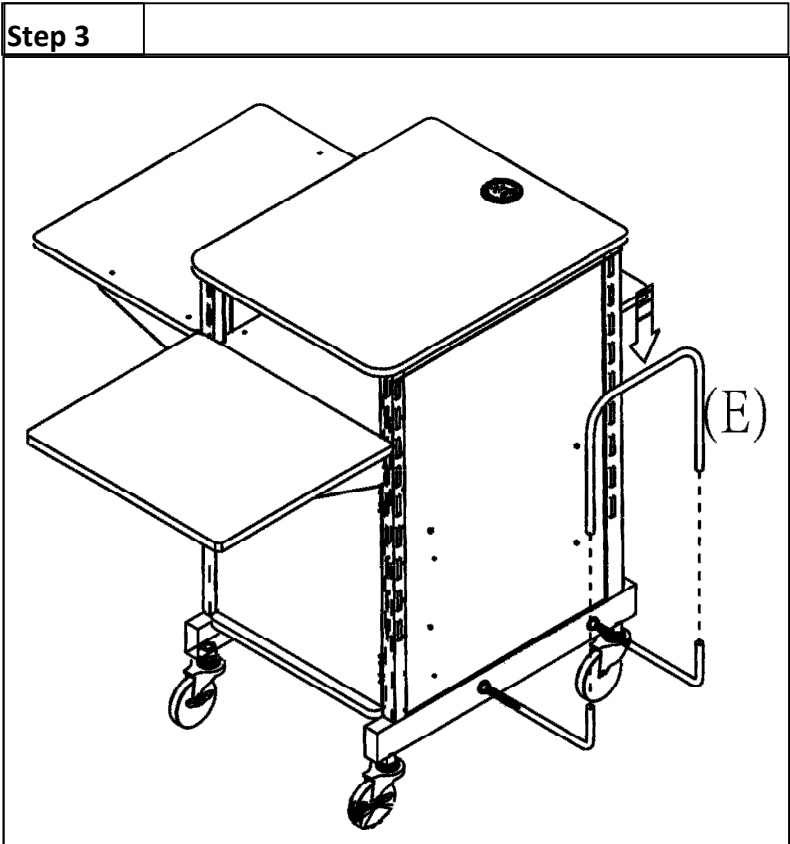
CPU Holder:

- a) Locate the two parts #D .
- b) Begin by first threading one nut #4 on each part all the way till they cannot be turned anymore.
- c) Slip two washers #5 over the threaded part of part #D until the washers are flush with the nuts #4.
- d) Proceed by slipping each part #D through the holes located on the base rails of the side panels as shown. The CPU holder can be installed on either side of the unit.
- e) Once both part #D have been inserted all the way through and the washers are flush to the side panel base rails, thread two more washers, one on each part #D, from the other side of the metal part #D all the way until its flush against the back side of the base rails of the side panels .
- f) Once both washer are in place, thread two nuts part #4, one on each and secure the nut in place until it is tight. Use wrench #7 to tighten the nut.
- g) Be sure that both ends of part #D are vertical and straight up as shown.



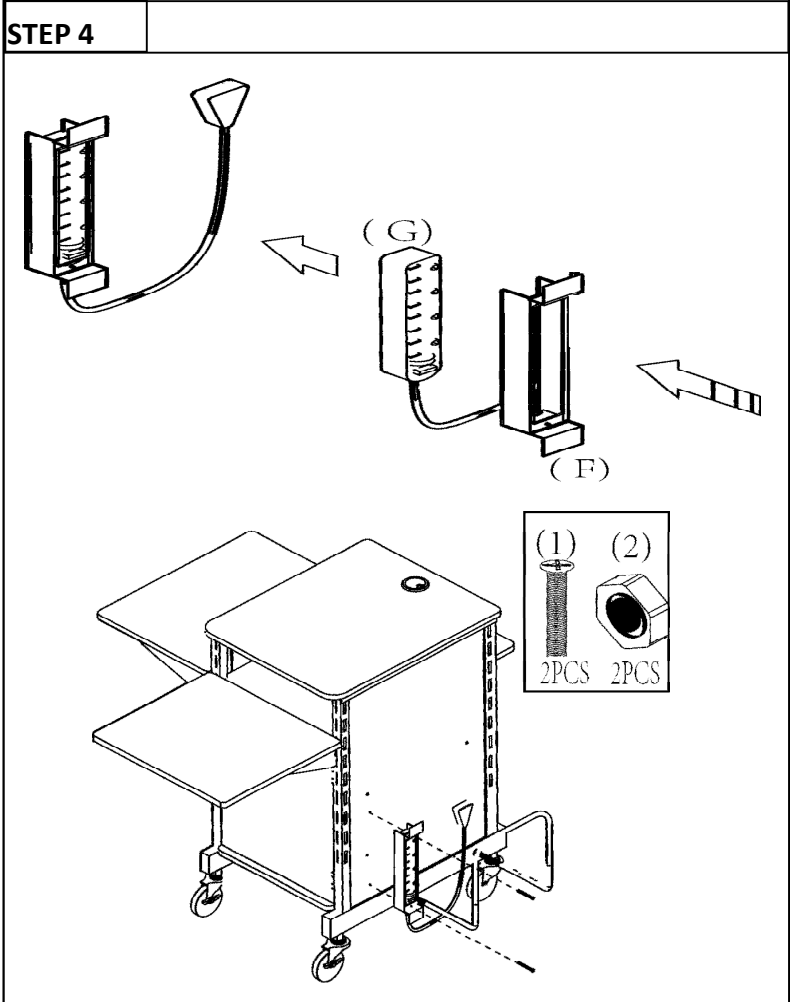
CPU Holder Continued:

- a) Once both parts #D are secure in place and the ends are both pointing straight up a 90 degree angle, attach the "U" shaped part #E as shown.
- b) Align the two open ends of part #E over the two ends of both parts #D. The ends of part #E will slip over part #D.
- c) Gently push part #E all the way down.



Power Assembly

- a) Identify the metal winder part #F and the power strip part #G.
- b) Part #F will slip over the power strip with only the switch and the outlets accessible with the cord of the power strip hanging out from the bottom as shown.
- c) To attach the entire power assembly to the unit, begin by locating the two holes on part #F, one on top and one on bottom.
- d) These two holes will align with the two holes on the side wall of panel #A as shown in the illustration.
- e) Once the two holes on part #F are aligned with the holes on the side wall, use the two screws part #1 and thread them through the hole on the metal winder and through the side panel.
- f) Once the screws are completely threaded through, use two nuts part #2 and secure the bolt from the inside of the cabinet.



Congratulations!!! Your PRC 450 is now fully assembled!!

Other Sound and Non-Sound Lecterns from Oklahoma Sound

Model #WZD



Model #612

Model #LSS



MODEL #111 PLS

Model #SCL



For these and other OS product please contact your dealer, or:

Oklahoma Sound

149 Entin Road, Clifton N.J. 07014 ♦ Tel : (973) 594-9000

www.oklahomasound.com ♦ info@oklahomasound.com