



Scan for full manual

KWC-1 Quick Start Guide

This guide helps you install and use your KWC-1 for the first time.

Go to www.kramerav.com/downloads/KWC-1 to download the latest user manual and check if firmware upgrades are available.

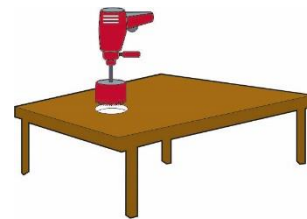
Step 1: Check what's in the box

- ✓ KWC-1 Wireless Charging Spot
- ✓ 1 Power adapter (12V DC)
- ✓ 1 Mounting bracket
- ✓ 1 Power adapter bracket
- ✓ 1 Quick start guide

Step 2: Cut an opening in the table

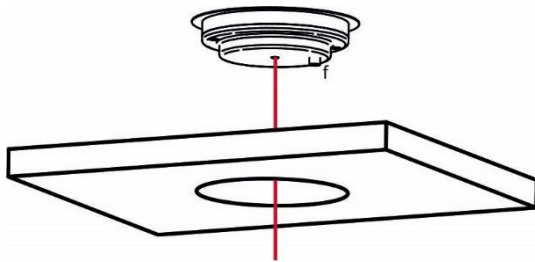
Drill a 106mm to 108mm (4.17in to 4.25in) hole in your table using a hole saw drill bit.

Note: The thickness of the table should be 3in (76mm) or less.

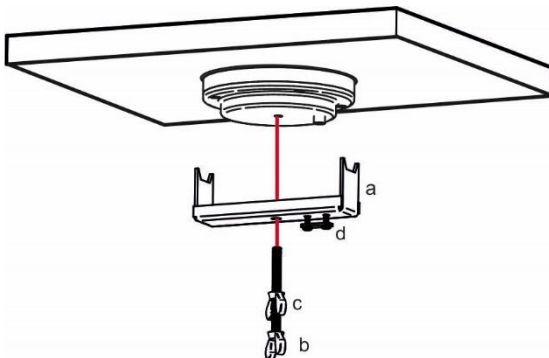


Step 3: Install the KWC-1

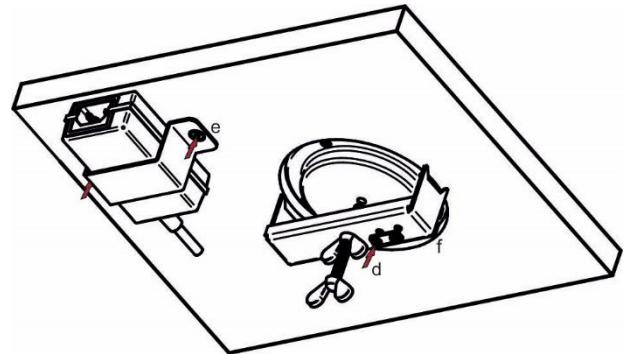
1. Insert KWC-1 into the hole cut in the table.



2. Fit the screw into the mounting bracket (a).
3. From underneath the table, insert/slide the screw into the appropriate hole in the KWC-1.
4. Tighten the mounting butterfly upward against the table (b).
5. Lock the screw with the locking butterfly (c).



6. Mount the power adapter using the power adapter mounting bracket and screws (e).
7. Pass the power cord through the cable bracket (d) and connect it to the power connector on the underside of the KWC-1 (f).
8. Connect the power adapter to the mains electricity (power cord purchased separately).



The system is ready to charge. Place your mobile device on the charging spot or use the required receiver (sold separately) for your device.