

**8945WU/8950W**

User's Manual (concise)



Thank you for purchasing this projector.

Please read through this manual before using this product, in order to use safely and utilize well the product.

**⚠WARNING** ▶ Before using this product, be sure to read all manuals for this product. After reading them, store them in a safe place for future reference.  
 ▶ Heed all the warnings and cautions in the manuals or on the product.  
 ▶ Follow all the instructions in the manuals or on the product.

**NOTE** • In this manual, unless any comments are accompanied, “the manuals” means all the documents provided with this product, and “the product” means this projector and all the accessories came with the projector.

Contents

		
First of all ..... 2	Connecting power supply ..... 9	
Entries and graphical symbols explanation ..... 2	Fastening the cable ..... 9	
Important safety instruction ..... 2	Turning on the power..... 10	
Regulatory notices ..... 3	Adjusting the projector's elevator ..... 11	
About Electro-Magnetic Interference ..... 3	Displaying the picture ..... 12	
Disposal of Old Equipment and Batteries	Turning off the power..... 13	
Only for European Union and countries with	Replacing the lamp..... 14	
recycling systems ..... 4	Cleaning and replacing the air filter .. 16	
Contents of package..... 4	Replacing the internal clock battery.. 18	
Preparing for the remote control..... 5	Using the manual ..... 19	
Arrangement..... 6	Specifications ..... 20	
Connecting with your devices..... 7	Troubleshooting	
Fastening the adapter cover..... 8	- Warranty and after-service ..... 21	

# First of all

## Entries and graphical symbols explanation

The following entries and graphical symbols are used for the manuals and the product as follows, for safety purpose. Please know their meanings beforehand, and heed them.

- ⚠WARNING This entry warns of a risk of serious personal injury or even death.
- ⚠CAUTION This entry warns of a risk of personal injury or physical damage.
- NOTICE This entry notices of fear of causing trouble.

## Important safety instruction

The followings are important instructions for safely using the product. Be sure to follow them always when handling the product. The manufacturer assumes no responsibility for any damage caused by mishandling that is beyond normal usage defined in these manuals of this projector.

- ⚠WARNING ▶ Never use the product in or after an abnormality (ex. giving off smoke, smelling strange, took a liquid or an object inside, broken, etc.) If an abnormality should occur, unplug the projector urgently.
- ▶ Situate the product away from children and pets.
- ▶ Keep small parts away from children and pets. If swallowed, consult a physician immediately for emergency treatment.
- ▶ Do not use the product when there is fear of a thunderbolt.
- ▶ Unplug the projector from the power outlet if the projector is not used for the time being.
- ▶ Do not open or remove any portion of the product, unless the manuals direct it. For internal maintenance, leave it to your dealer or their service personnel.
- ▶ Use only the accessories specified or recommended by the manufacturer.
- ▶ Do not modify the projector or accessories.
- ▶ Do not let any things or any liquids enter to the inside of the product.
- ▶ Do not wet the product.
- ▶ Do not place the projector where any oils, such as cooking or machine oil, are used. Oil may harm the product, resulting in malfunction, or falling from the mounted position. Do not use adhesive such as threadlocker, lubricant and so on.
- ▶ Do not apply a shock or pressure to this product.
- Do not place the product on an unstable place such as the uneven surface or the leaned table.
- Do not place the product unstably. Place the projector so that it does not protrude from the surface where the projector is placed on.
- Remove all the attachments including the power cord and cables, from the projector when carrying the projector.
- ▶ Do not look into the lens and the openings on the projector, while the lamp is on, since the projection ray may cause a trouble on your eyes.
- ▶ Do not approach the lamp cover and the exhaust vents, while the projection lamp is on. Also after the lamp goes out, do not approach them for a while, since too hot.

# Regulatory notices

## About Electro-Magnetic Interference

This is a Class A product. In a domestic environment this product may cause radio interference in which case the user may be required to take adequate measures.

This product may cause interference if used in residential areas. Such use must be avoided unless the user takes special measures to reduce electromagnetic emissions to prevent interference to the reception of radio and television broadcasts.

### **In Canada**

CAN ICES-3(A) / NMB-3(A).

### **In the US and places where the FCC regulations are applicable**

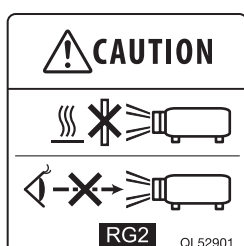
This device complies with part 15 of the FCC Rules. Operation is subject to the following two conditions: (1) This device may not cause harmful interference, and (2) this device must accept any interference received, including interference that may cause undesired operation.

This equipment has been tested and found to comply with the limits for a Class A digital device, pursuant to Part 15 of the FCC Rules.

These limits are designed to provide reasonable protection against harmful interference when the equipment is operated in a commercial environment. This equipment generates, uses, and can radiate radio frequency energy and, if not installed and used in accordance with the instruction manual, may cause harmful interference to radio communications. Operation of this equipment in a residential area is likely to cause harmful interference in which case the user will be required to correct the interference at his own expense.

**INSTRUCTIONS TO USERS:** Some cables have to be used with the core set. Use the accessory cable or a designated type cable for the connection. For cables that have a core only at one end, connect the core to the projector.

**CAUTION:** Changes or modifications not expressly approved by the party responsible for compliance could void the user's authority to operate the equipment.



As with any bright source, do not stare into the direct beam, RG2 IEC 62471-5:2015.

## Regulatory notices (continued)

### Disposal of Old Equipment and Batteries Only for European Union and countries with recycling systems



The above mark is in compliance with the Waste Electrical and Electronic Equipment Directive 2012/19/EU (WEEE). The mark indicates the requirement NOT to dispose the equipment including any spent or discarded batteries as unsorted municipal waste, but use the return and collection systems available. If the batteries or accumulators included with this equipment display the chemical symbol Hg, Cd, or Pb, then it means that the battery has a heavy metal content of more than 0.0005% Mercury, or more than 0.002% Cadmium or more than 0.004% Lead.

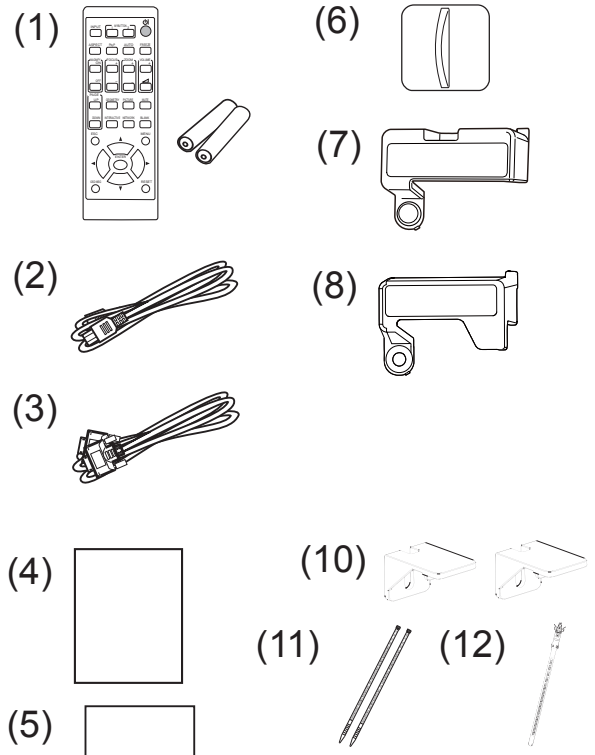


Note for the battery symbol (bottom symbol): This symbol might be used in combination with a chemical symbol. In this case it complies with the requirement set by the Directive for the chemical involved.

## Contents of package

Your projector should come with the items shown below. Check that all the items are included. Require of your dealer immediately if any items are missing.

- (1) Remote control with two AA batteries
- (2) Power cord
- (3) Computer cable (4) Info Sheet
- (5) Security label
- (6) Lens cover
- (7) Adapter cover (TBA/8950W)
- (8) Adapter cover (8945WU)
- (10) HDMI cable holder (x2)
- (11) Cable tie (x2)
- (12) Cable tie (x1)



**⚠WARNING** ► Keep small parts away from children and pets. Take care not to put in the mouth. If swallowed, consult a physician immediately for emergency treatment.

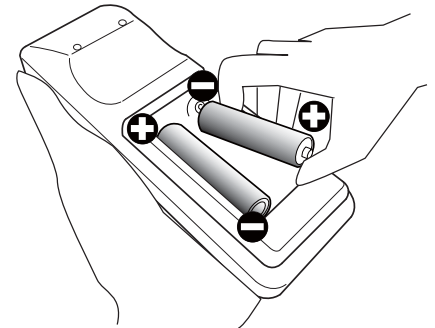
**NOTE** • Keep the original packing materials for future reshipment. Be sure to use the original packing materials when moving the projector. Use special caution for the lens.

• The projector may make a rattling sound when tilted, moved or shaken, since a flap to control the air flow inside of the projector has moved. Be aware that this is not a failure or malfunction.

## Preparing for the remote control

Please insert the batteries into the remote control before using it. If the remote control starts to malfunction, try to replace the batteries. If you will not use the remote control for long period, remove the batteries from the remote control and store them in a safe place.

1. Remove the battery cover.
2. Align and insert the two AA batteries (Use the appropriate AA carbon-zinc or alkaline batteries (non-rechargeable) in accordance with laws and regulations.) according to their plus and minus terminals as indicated in the remote control.
3. Put the battery cover back to the former state.



**⚠WARNING** ► Always handle the batteries with care and use them only as directed. Improper use may result in battery explosion, cracking or leakage, which could result in fire, injury and/or pollution of the surrounding environment.

- When replacing the batteries, replace both of the batteries with new batteries of the same type. Do not use a new battery with a used battery.
- Be sure to use only the batteries specified. Do not use batteries of different types at the same time. Do not mix a new battery with used one.
- Make sure the plus and minus terminals are correctly aligned when loading a battery.
- Keep a battery away from children and pets.
- Do not recharge, short circuit, solder or disassemble a battery.
- Do not place a battery in a fire or water. Keep batteries in a dark, cool and dry place.
- If you observe battery leakage, wipe out the leakage and then replace a battery. If the leakage adheres to your body or clothes, rinse well with water immediately.
- Obey the local laws on disposing the battery.

# Arrangement

Refer to tables **T-1** to **T-3** and figures **F-1** and **F-2** at the end of this manual to determine the screen size and projection distance. The values shown in the table are calculated for a full size screen.

- Ⓐ Screen size (diagonal)
- Ⓑ Projection distance ( $\pm 10\%$ , from the projector's end)
- Ⓒ<sup>1</sup>, Ⓒ<sup>2</sup> Screen height ( $\pm 10\%$ )

• If the projector is used at an altitude of about 1600 m (5250 feet) or higher, set ALTITUDE of the SERVICE item in the OPTION menu to HIGH. Otherwise, set it to NORMAL. If the projector is used with a wrong setting, it may cause damage to the projector itself or the parts inside.

⚠WARNING ► Install the projector where you can access the power outlet easily.

► Install the projector in a stable horizontal position.

- Do not use any mounting accessories except the accessories specified by the manufacturer. Read and keep the manuals of the accessories used.
- For special installation such as ceiling mounting, be sure to consult your dealer beforehand. Specific mounting accessories and services may be required.
- Do not put the projector on its side, front or rear position. If the projector falls or is knocked over, it could cause injury and/or damage to the projector.
- Do not attach nor place anything on the projector unless otherwise specified in the manual.
- Do not install the projector near thermally conductive or flammable things.
- Do not place the projector where any oils, such as cooking or machine oil, are used.
- Do not place the projector in a place where it may get wet.

⚠CAUTION ► Place the projector in a cool place with sufficient ventilation.

- Keep a space of 30 cm or more between a side of the projector and other objects such as walls.
- Do not stop up, block nor cover the projector's vent holes.
- Do not place the projector at places that are exposed to magnetic fields, doing so can cause the cooling fans inside the projector to malfunction.
- Avoid placing the projector in smoky, humid or dusty place.
- Do not place the projector near humidifiers.

(continued on next page)



## Arrangement (continued)

**NOTICE** ► Position the projector to prevent light from directly hitting the projector's remote sensor.

► Positional deviation or distortion of a projected image, or shift of the focus may occur due to ambient conditions, and so on. They tend to occur until the operation becomes stable, especially within about 30 minutes after the lamp is turned on. Check and readjust them as necessary.

► Do not place the product in a place where radio interference may be caused.

► Check and correct the setting for **ALTITUDE** of **SERVICE** in the **OPTION** menu according to the usage environment. For details, see **User's Manual - Operating Guide**.

## Connecting with your devices

Before connecting the projector to a device, consult the manual of the device to confirm that the device is suitable for connecting with this projector and prepare the required accessories, such as a cable in accord with the signal of the device. Consult your dealer when the required accessory did not come with the product or the accessory is damaged.

After making sure that the projector and the devices are turned off, perform the connection, according to the following instructions. Refer to figures **F-3** to **F-6** at the end of this manual. For details, see **User's Manual - Operating Guide**.

Before connecting the projector to a network system, be sure to read **User's Manual - Network Guide** too.

**△WARNING** ► Use only the appropriate accessories. Otherwise it could cause a fire or damage the projector and devices.

- Use only the accessories specified or recommended by the projector's manufacturer. It may be regulated under some standard.
- Neither disassemble nor modify the projector and the accessories.
- Do not use the damaged accessory. Be careful not to damage the accessories. Route a cable so that it is neither stepped on nor pinched out.

**△CAUTION** ► For a cable with a core at only one end, connect the end with the core to the projector. That may be required by EMI regulations.

► Before connecting the projector to a network system be sure to obtain the consent of the administrator of the network.

► Do not connect the **LAN** port to any network that might have the excessive voltage.

► The designated USB wireless adapter that is sold as an option is required to use the wireless network function of this projector.

► Before removing the USB storage device from the port of the projector, be sure to use the **REMOVE USB** function on the thumbnail screen to secure your data. Before you insert or pull out the USB wireless adapter from the projector, turn off the power of the projector and pull out the power cord's plug from the outlet. Do not touch the USB wireless adapter while the projector is receiving AC power.

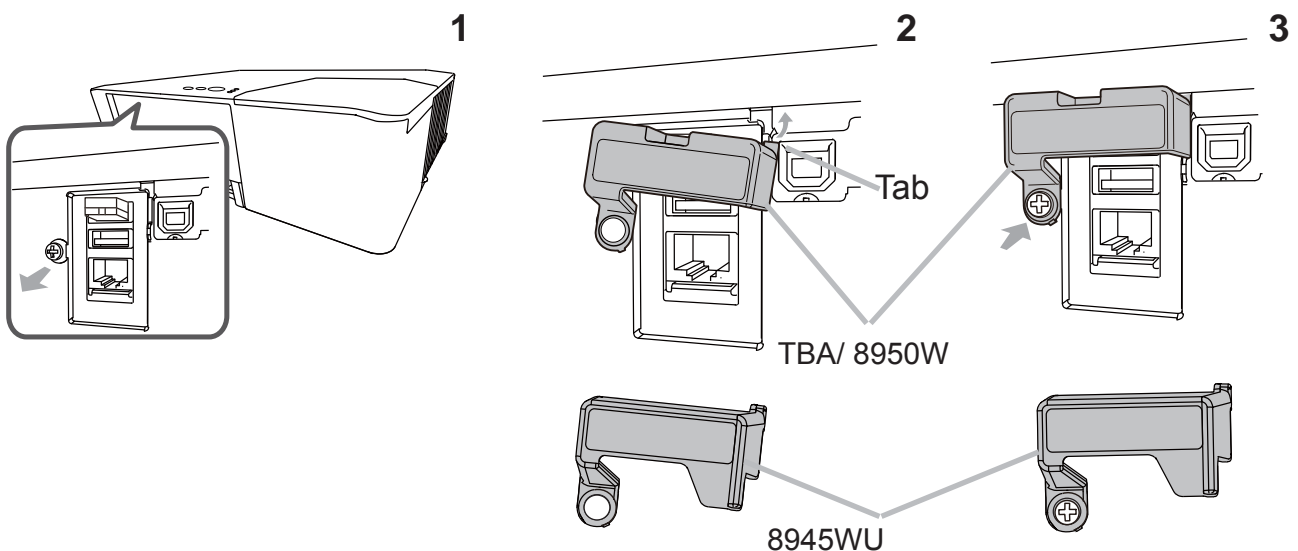
(continued on next page)

- NOTE**
- Do not turn on or off the projector while connected to a device in operation, unless that is directed in the manual of the device.
  - Some input ports are selectable in the use. For details, see **User's Manual - Operating Guide**.
  - Be careful not to mistakenly connect a connector to a wrong port.
  - If an oversized USB storage device blocks the **LAN** port, use a USB extension cable to connect the USB storage device.

## Fastening the adapter cover

Use the supplied adapter cover to prevent the USB wireless adapter (optional) from coming off easily and prevention from burn injury.

1. Loosen the screw on the bottom left of the **USB TYPE A** port.
2. Insert the tab of the cover into the hole at the upper right of the **USB TYPE A** port in the direction of the arrow.
3. Align the screw holes on the projector and the cover. Then insert the screw removed from the projector into the hole and tighten the screw.



**△WARNING** ► Keep small parts away from children and pets. Take care not to put in the mouth. Heat may build up in the USB wireless adapter, to avoid possible burns disconnect the projector power cord for more than 10 minutes before touching it.

## Manufacturing year and month

The manufacturing year and month of this projector is indicated as follows in the serial number of the rating label on the projector.

Example:

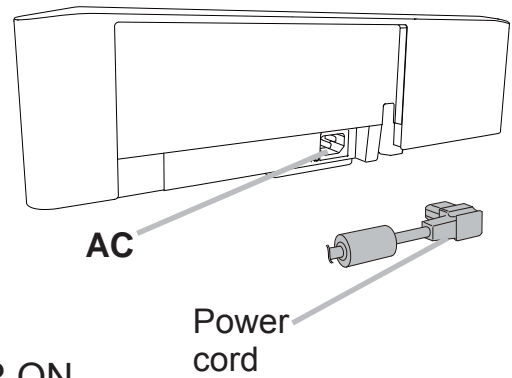
**F 7 C x 0 0 0 0 1**

- └ Manufacturing month: A = January, B = February, ... L = December.
- └ Manufacturing year: 7 = 2017, 8 = 2018, ... 0 = 2020, 1 = 2021.



## Connecting power supply

1. Put the connector of the power cord into the **AC** (AC inlet) of the projector.
2. Firmly plug the power cord's plug into the outlet. In a couple of seconds after the power supply connection, the **POWER** indicator will light up in steady orange.



Please remember that when the **DIRECT POWER ON** function activated, the connection of the power supply make the projector turn on.

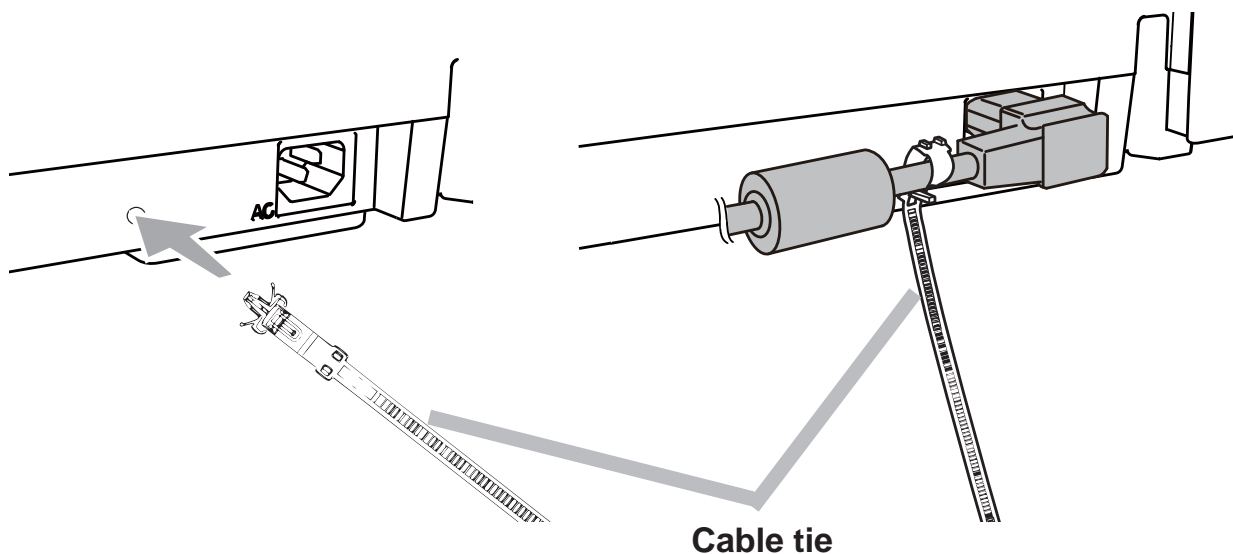
**⚠WARNING** ► Please use extra caution when connecting the power cord, as incorrect or faulty connections may result in fire and/or electrical shock.

- Do not touch the power cord with a wet hand.
- Only use the power cord that came with the projector. If it is damaged, consult your dealer to get a new one. Never modify the power cord.
- Only plug the power cord into an outlet whose voltage is matched to the power cord. The power outlet should be close to the projector and easily accessible. Remove the power cord for complete separation.
- Do not distribute the power supply to multiple devices. Doing so may overload the outlet and connectors, loosen the connection, or result in fire, electric shock or other accidents.
- Connect the ground terminal for the AC inlet of this unit to the ground terminal of the building using an appropriate power cord (bundled).

**NOTICE** ► This product is also designed for IT power systems with a phase-to-phase voltage of 220 to 240 V.

## Fastening the cable

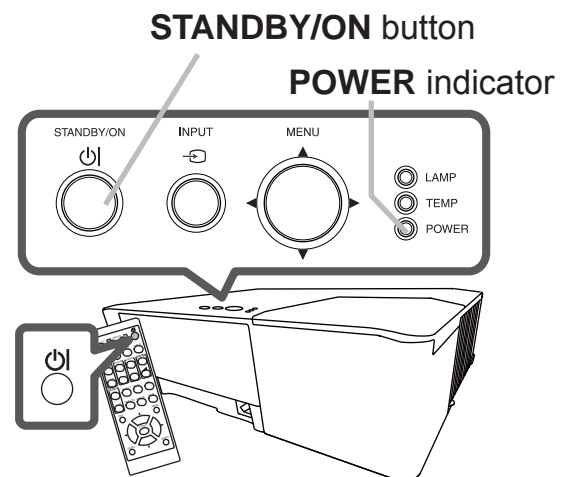
Use the supplied cable tie to fasten the cable.



## Turning on the power

1. Make sure that the power cord is firmly and correctly connected to the projector and the outlet.
2. Make sure that the **POWER** indicator is steady orange.  
Then remove the lens cover.
3. Press the **STANDBY/ON** button on the projector or the remote control.

The projection lamp will light up and the **POWER** indicator will begin blinking in green. When the power is completely on, the indicator will stop blinking and light in steady green.

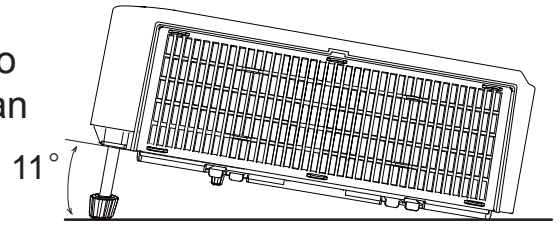


**⚠WARNING** ► A strong light is emitted when the projector's power is on. Do not look into the lens of the projector or look inside of the projector through any of the projector's openings, since the projection ray may cause a trouble on your eyes.

**NOTE** • Please power on the projector prior to the connected devices.  
• The projector has the **DIRECT POWER ON** function, which can make the projector automatically turn on. For more information, please see **User's Manual - Operating Guide**.

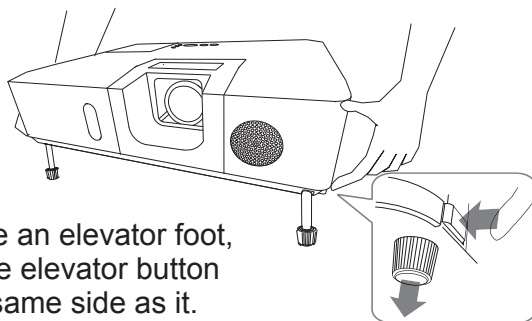
# Adjusting the projector's elevator

When the place to put the projector is slightly uneven to the left or right, use the elevator feet to place the projector horizontally. Using the feet can also tilt the projector in order to project at a suitable angle to the screen, elevating the front side of the projector within 11 degrees.

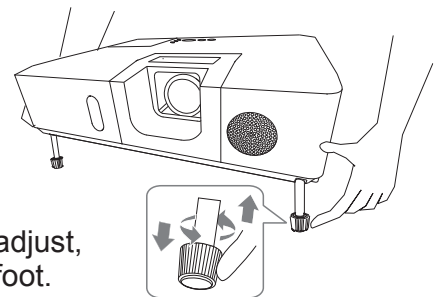


This projector has 2 elevator feet and 2 elevator buttons. An elevator foot is adjustable while pushing the elevator button on the same side as it.

1. Holding the projector, push the elevator buttons to loose the elevator feet.
2. Position the front side of the projector to the desired height.
3. Release the elevator buttons in order to lock the elevator feet.
4. After making sure that the elevator feet are locked, put the projector down gently.
5. If necessary, the elevator feet can be manually twisted to make more precise adjustments. Hold the projector when twisting the feet.



To loose an elevator foot, push the elevator button on the same side as it.



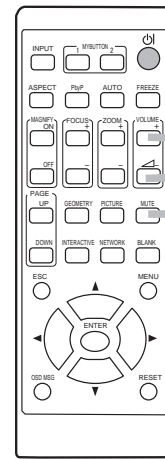
To finely adjust, twist the foot.

**⚠CAUTION** ► Do not handle the elevator buttons without holding the projector, since the projector may drop down.

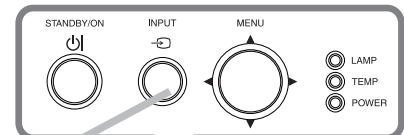
► Do not tilt the projector other than elevating its front within 11 degrees using the adjuster feet. A tilt of the projector exceeding the restriction could cause malfunction or shortening the lifetime of consumables, or the projector itself.

## Displaying the picture

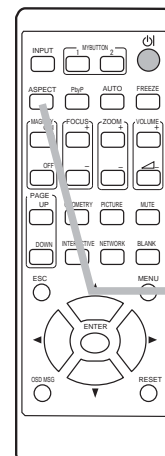
1. Activate your signal source. Turn the signal source on, and make it send the signal to the projector.
2. Press **INPUT** button on the projector or the remote control. Select a desirable input referring to the displayed input list.
3. Use the **VOLUME + / VOLUME -** buttons to adjust the volume.  
To have the projector silent, press the **MUTE** button on the remote control.
4. Press the **ASPECT** button on the remote control. Each time you press the button, the projector switches the mode for aspect ratio in turn.
5. Use the **ZOOM** ring to adjust the screen size.
6. Use the **FOCUS** ring to focus the picture.



**VOLUME+** button  
**VOLUME-** button  
**MUTE** button

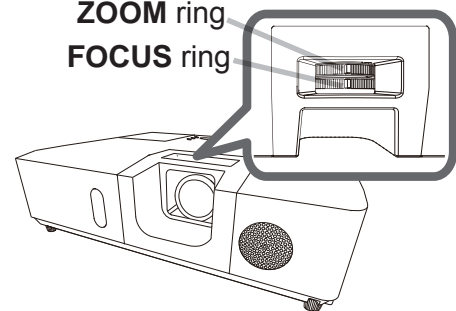


**INPUT** button



**ASPECT** button

**ZOOM** ring  
**FOCUS** ring



**⚠WARNING** ► If you wish to have a blank screen while the projector's lamp is on, use the **BLANK** function. (see **User's Manual - Operating Guide**)  
Taking any other action may cause the damage on the projector.  
Blocking the beam by something causes high temperature and could result in fire or smoke.

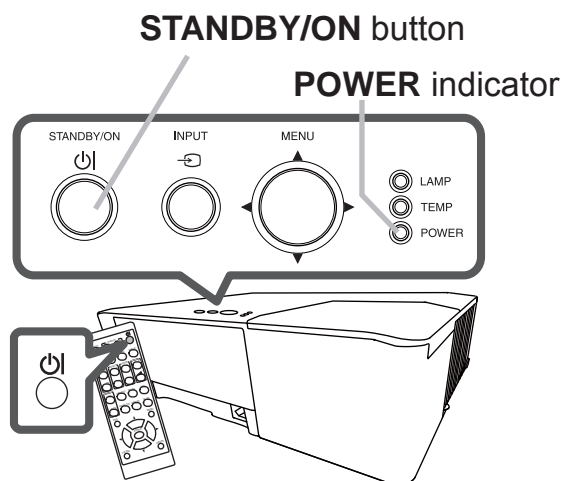
(continued on next page)

## Displaying the picture (continued)

- NOTE • The **ASPECT** button does not work when no proper signal is inputted.
- For the details of how to adjust the picture, please see **User's Manual - Operating Guide**.
  - There may be some noise and/or the screen may flicker for a moment when an operation is made. This is not a malfunction.

## Turning off the power

1. Press the **STANDBY/ON** button on the projector or the remote control.  
The message "Power off?" will appear on the screen for about 5 seconds.
2. Press the **STANDBY/ON** button again while the message appears.  
The projector lamp will go off, and the **POWER** indicator will begin blinking in orange. Then the **POWER** indicator will stop blinking and light in steady orange when the lamp cooling is completed.
3. Attach the lens cover, after the **POWER** indicator turns in steady orange.



Do not turn the projector on for about 10 minutes or more after turning it off. Also, do not turn the projector off shortly after turning it on. Such operations might cause the lamp to malfunction or shorten the lifetime of some parts including the lamp.

- ⚠WARNING ▶ Do not touch around the lamp cover and the exhaust vents during use or just after use, since it is too hot.
- ▶ Remove the power cord for complete separation. The power outlet should be close to the projector and easily accessible.

- NOTE • Please power off the projector after any connected devices are powered off.
- This projector has the AUTO POWER OFF function that can make the projector turn off automatically. For more information, please see **User's Manual - Operating Guide**.

# Replacing the lamp

A lamp has finite product life. Using the lamp for long periods of time could cause the pictures darker or the color tone poor. Note that each lamp has a different lifetime, and some may burst or burn out soon after you start using them. Preparation of a new lamp and early replacement are recommended. To prepare a new lamp, make contact with your dealer and tell the lamp type number.

**Type number : 456-9845WU**

1. Turn the projector off, and unplug the power cord.  
Allow the projector to cool for at least 45 minutes.

2. Prepare a new lamp. If the projector is mounted on a ceiling, or if the lamp has broken, also ask the dealer to replace the lamp.

In case of replacement by yourself, follow the following procedure.

3. Loosen the screw (marked by arrow) of the lamp cover and then slide and lift the lamp cover to the side to remove it.

4. Loosen the 3 screws (marked by arrow) of the lamp, and slowly pick up the lamp by the handle.

**Never loosen any other screws.**

5. Insert the new lamp, and retighten firmly the 3 screws of the lamp that are loosened in the previous process to lock it in place.

6. While putting the interlocking parts of the lamp cover and the projector together, slide the lamp cover back in place. Then firmly fasten the screw of the lamp cover.

7. Turn the projector on and reset the lamp time using the LAMP TIME item in the SETUP menu.

(1) Press the **MENU** button to display a menu.

(2) Point at the **ADVANCED MENU** in the menu using the **▼/▲** button, then press the **▶** button.

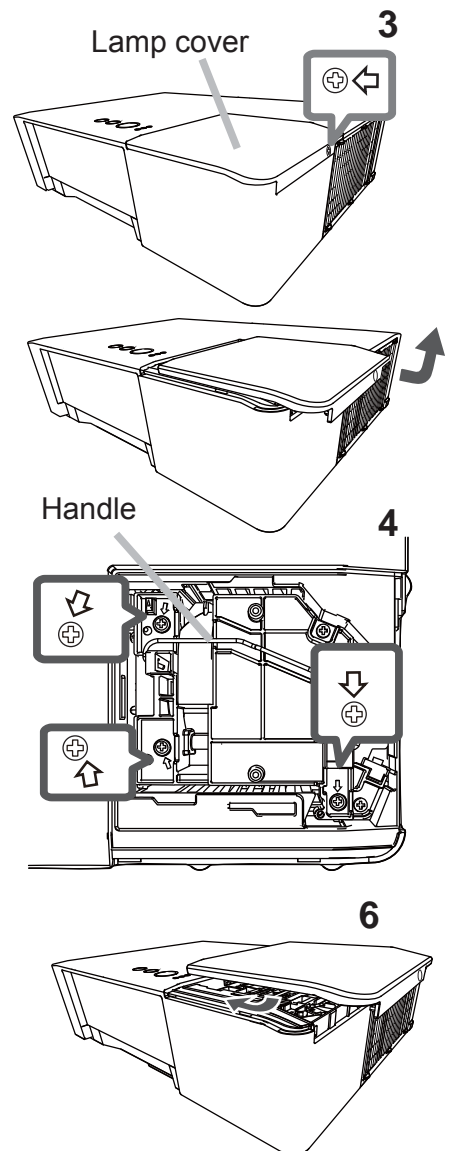
(3) Point at the **SETUP** in the left column of the menu using the **▼/▲** button, then press the **▶** button.

(4) Point at the **LAMP & FILTER** using the **▼/▲** button, then press the **▶** button.

(5) Point at the **LAMP TIME** using the **▼/▲** button, then press the **▶** button.

A dialog will appear.

(6) Press the **▶** button to select "OK" on the dialog. It performs resetting the lamp time.



**⚠ CAUTION ▶ Do not touch any inner space of the projector, while the lamp is taken out.**

**NOTE** • Please reset the lamp time only when you have replaced the lamp, for a suitable indication about the lamp.



## Replacing the lamp (continued)

 **HIGH VOLTAGE**    **HIGH TEMPERATURE**    **HIGH PRESSURE**

**⚠ WARNING** ► The projector uses a high-pressure mercury glass lamp. The lamp can break with a loud bang, or burn out, if jolted or scratched, handled while hot, or worn over time. Note that each lamp has a different lifetime, and some may burst or burn out soon after you start using them. In addition, if the bulb bursts, it is possible for shards of glass to fly into the lamp housing, and for gas containing mercury and dust containing fine particles of glass to escape from the projector's vent holes.

► **About disposal of a lamp:** This product contains a mercury lamp; do not put it in a trash. Dispose of it in accordance with environmental laws.

- For lamp recycling, go to [www.lamprecycle.org](http://www.lamprecycle.org) (in the US).
- For product disposal, consult your local government agency or [www.eiae.org](http://www.eiae.org) (in the US) or [www.epsc.ca](http://www.epsc.ca) (in Canada).

For more information, ask your dealer.



Disconnect the plug from the power outlet

- If the lamp should break (it will make a loud bang when it does), unplug the power cord from the outlet, and make sure to request a replacement lamp from your local dealer. Note that shards of glass could damage the projector's internals, or cause injury during handling, so please do not try to clean the projector or replace the lamp yourself.
- If the lamp should break (it will make a loud bang when it does), ventilate the room well, and make sure not to inhale the gas or fine particles that come out from the projector's vent holes, and not to get them into your eyes or mouth.
- Before replacing the lamp, turn the projector off and unplug the power cord, then wait at least 45 minutes for the lamp to cool sufficiently. Handling the lamp while hot can cause burns, as well as damaging the lamp.



- Never unscrew except the appointed (marked by an arrow) screws.
- Do not open the lamp cover while the projector is suspended from a ceiling. This is dangerous, since if the lamp's bulb has broken, the shards will fall out when the cover is opened. In addition, working in high places is dangerous, so ask your local dealer to have the lamp replaced even if the bulb is not broken.
- Do not use the projector with the lamp cover removed. At the lamp replacing, make sure that the screws are screwed in firmly. Loose screws could result in damage or injury.



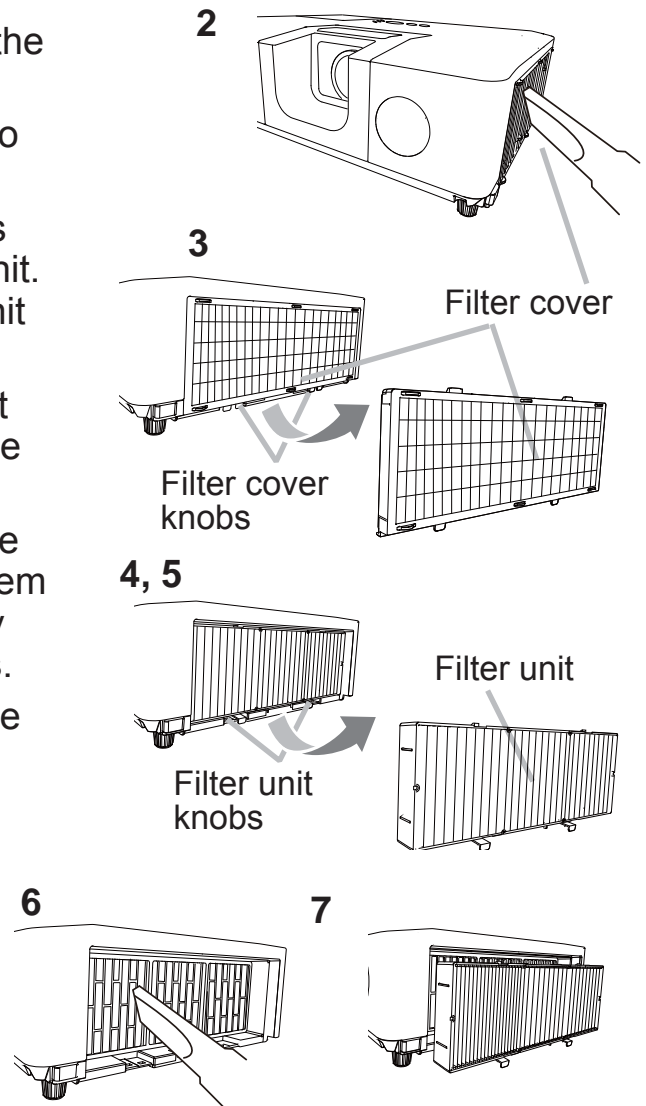
- Use only the lamp of the specified type. Use of a lamp that does not meet the lamp specifications for this model could cause a fire, damage or shorten the life of this product.
- If the lamp breaks soon after the first time it is used, it is possible that there are electrical problems elsewhere besides the lamp. If this happens, consult your local dealer or a service representative.
- Handle with care: jolting or scratching could cause the lamp bulb to burst during use.
- Using the lamp for long periods of time, could cause it dark, not to light up or to burst. When the pictures appear dark, or when the color tone is poor, please replace the lamp as soon as possible. Do not use old (used) lamps; this is a cause of breakage.

# Cleaning and replacing the air filter

Please check and clean the air filter periodically. When the indicators or a message prompts you to clean the air filter, comply with it as soon as possible. In addition, the extra air filter is attached to inner side of the filter cover. If one of the filters is damaged or heavily soiled, replace whole filter set with a new one. Request for a filter set with the following type number from your dealer when purchasing a new one.

**Type number : UX41161**

1. Turn the projector off, and unplug the power cord. Allow the projector to sufficiently cool down.
2. Use a vacuum cleaner on and around the filter cover.
3. Pick and pull up the filter cover knobs to take it off.
4. Press up slightly the bottom side knobs to unlock the bottom side of the filter unit. Pull the center knob to take the filter unit off.
5. Use a vacuum cleaner for the filter vent of the projector and the outer side of the filter unit.
6. Use a vacuum cleaner for the inner side of each part of the filter unit to clean them up. If the filters are damaged or heavily soiled, replace them with the new ones.
7. Put the filter unit back in an upright state into the projector.
8. Put the filter cover back into the place.



(continued on next page)

## ***Cleaning and replacing the air filter (continued)***

9. Turn the projector on and reset the filter time using the FILTER TIME item in the EASY MENU.
  - (1) Press the **MENU** button to display a menu.
  - (2) Point at the FILTER TIME using the ▼/▲ button, then press the ► button. A dialog will appear.
  - (3) Press the ► button to select “OK” on the dialog. It performs resetting the filter time.

⚠WARNING ► Before taking care of the air filter, make sure the power cord is not plugged in, then allow the projector to cool sufficiently.

► Use only the air filter of the specified type. Do not use the projector without the air filter or the filter cover. It could result in a fire or malfunction to the projector.

► Clean the air filter periodically. If the air filter becomes clogged by dust or the like, internal temperatures rise and could cause a fire, a burn or malfunction to the projector.

NOTE • Please reset the filter time only when you have cleaned or replaced the air filter, for a suitable indication about the air filter.

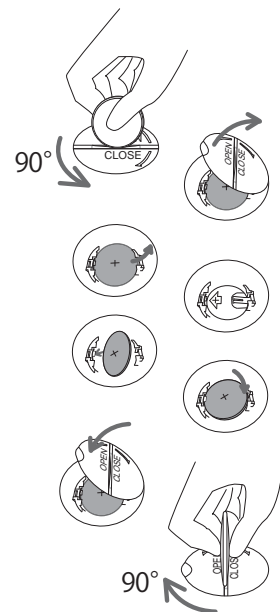
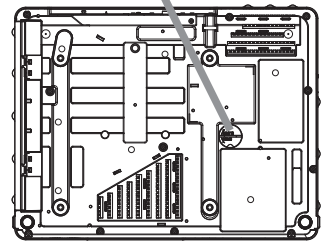
• The projector may display the message such as “CHECK THE AIR FLOW” or turn off the projector, to prevent the internal heat level rising.

# Replacing the internal clock battery

Installing the battery is required in some cases. (📖Event Scheduling in the User's Manual - Network Guide) A battery is not contained at the time of factory shipment. Please replace a battery according to the following procedure.

1. Turn the projector off, and unplug the power cord. Allow the projector to cool sufficiently.
2. After making sure that the projector has cooled adequately, slowly turn over the projector, so that the bottom is facing.
3. Turn the battery cover fully in the direction indicated “**OPEN**” using a coin or the like, and pick the cover up to remove it.
4. Pry up the battery using a flathead screwdriver or the like to take it out. Do not use any metal tools. While prying it up, put a finger lightly on the battery since it may pop out of the holder.
5. Replace the battery with a new MAXELL, Part No.**CR2032** or **CR2032H**. Slide the battery in under the plastic claw, and push it into the holder until it clicks.
6. Replace the battery cover in place, then turn it in the direction indicated “**CLOSE**” using such as coins, to fix.

Battery Cover



⚠️**WARNING** ▶ Always handle the batteries with care and use them only as directed. Battery may explode if mistreated. Do not recharge, disassemble or dispose of in fire.

And also improper use may result in cracking or leakage, which could result in fire, injury and/or pollution of the surrounding environment.

- Be sure to use only the batteries specified.
- Make sure the plus and minus terminals are correctly aligned when loading a battery.
- Keep a battery away from children and pets. If swallowed consult a physician immediately for emergency treatment.
- Do not short circuit or solder a battery.
- Do not allow a battery in a fire or water. Keep batteries in a dark, cool and dry place.
- If you observe battery leakage, wipe out the leakage and then replace a battery. If the leakage adheres to your body or clothes, rinse well with water immediately.
- Obey the local laws on disposing a battery.

## Manuals and Software

The manuals are available on the Dukane web site as downloads.

The network software is available on a link for downloads on the Dukane web page for this model. At: [www.dukaneav.com](http://www.dukaneav.com) or go to the Support for the product at: [www.dukane-av.com/service/downloads.asp](http://www.dukane-av.com/service/downloads.asp) to get the downloads list.

**Note:** The Dukane model described in this document is manufactured by Hitachi and uses the same firmware, software programs, control code, and accessory parts. The equivalent Dukane to Hitachi models is 8945WU (CP-EU4501WN) and 8950W (CP-EW5001WN).

# Specifications

Item	Specification
Product name	Liquid crystal projector
Liquid Crystal Panel	TBA: 786,432 pixels (1024 horizontal x 768 vertical) 8950W: 1,024,000 pixels (1280 horizontal x 800 vertical) 8945WU: 2,304,000 pixels (1920 horizontal x 1200 vertical)
Lamp	280W
Speaker	16 W mono
Power supply/ Rated current	TBA/8950W: AC 100-120 V: 4.1 A, AC 220-240 V: 2.0 A 8945WU: AC 100-120 V: 4.3 A, AC 220-240 V: 2.1 A
Power consumption	TBA/8950W: AC 100-120 V: 400 W, AC 220-240 V: 390 W 8945WU: AC 100-120 V: 410 W, AC 220-240 V: 400 W
Temperature range	5 ~ 35 °C (Operating)
Size	413 (W) x 123 (H) x 315 (D) mm 407 (W) x 108 (H) x 312 (D) mm (Not including protruding parts.) Refer to figure <b>F-7</b> at the back of this manual.
Weight (mass)	TBA/8950W: approx. 5.2 kg 8945WU: approx. 5.3 kg
Ports	<b>COMPUTER IN1</b> ..... D-sub 15 pin mini jack x1 <b>COMPUTER IN2/MONITOR OUT</b> ..... D-sub 15 pin mini jack x1 <b>HDMI1</b> ..... HDMI connector x1 <b>HDMI2/MHL</b> ..... HDMI/MHL connector x1 <b>VIDEO</b> ..... RCA jack x1 <b>AUDIO IN1</b> ..... 3.5 mm (stereo) mini jack x1 <b>AUDIO IN2</b> ..... 3.5 mm (stereo) mini jack x1 <b>AUDIO IN3 (R, L)</b> ..... RCA jack x2 <b>AUDIO OUT</b> ..... 3.5 mm (stereo) mini jack x1 <b>USB TYPE A</b> ..... USB type A connector x2 <b>USB TYPE B</b> ..... USB type B connector x1 <b>CONTROL</b> ..... D-sub 9 pin plug x1 <b>LAN</b> ..... RJ45 jack x1
Optional parts	<b>Lamp:</b> 456-9845WU <b>Filter set:</b> UX41161  <b>USB wireless adapter:</b> USB-WL-11N(TBA/8950W) USB-WL-5G(8945WU) * For more information, please consult your dealer .



## Troubleshooting - Warranty and after-service

If an abnormal operation (such as smoke, strange odor or excessive sound) should occur, stop using the projector immediately.

Otherwise if a problem occurs with the projector, first refer to “Troubleshooting” of **User’s Manual - Operating Guide** and **Network Guide**, and run through the suggested checks.

If this does not resolve the problem, please consult your dealer or service company. They will tell you what warranty condition is applied.

Please check the following web address where you may find the latest information for this projector.

**DUKANE CORP AV SERVICE DEPT**  
**2900 Dukane Drive**  
**St Charles, IL 60174**  
**800-676-2487 / 630-762-4032**  
**Fax 630-584-5156**  
**avservice@dukane.com**  
**www.dukaneav.com**

**NOTE** • The information in this manual is subject to change without notice.

- The illustrations in this manual are for illustrative purposes. They may differ slightly from your projector.
- The manufacturer assumes no responsibility for any errors that may appear in this manual.
- The reproduction, transfer or copy of all or any part of this document is not permitted without express written consent.

### Trademark acknowledgment

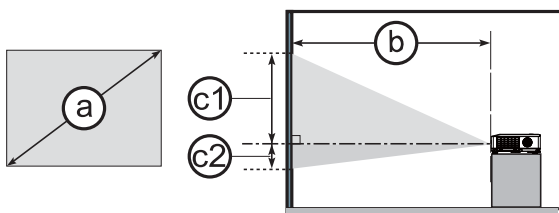
- Mac<sup>®</sup>, Macintosh<sup>®</sup> and Mac OS X<sup>®</sup> are registered trademarks of Apple Inc. in the U.S. and/or other countries.
  - Adobe<sup>®</sup> and Acrobat<sup>®</sup>, Reader<sup>®</sup> are registered trademarks of Adobe Systems Incorporated.
  - Microsoft<sup>®</sup>, Internet Explorer<sup>®</sup>, Windows<sup>®</sup>, Windows Vista<sup>®</sup> and Windows<sup>®</sup> 7 are registered trademarks of Microsoft Corporation in the U.S. and/or other countries.
  - HDMI, the HDMI logo and High-Definition Multimedia Interface are trademarks or registered trademarks of HDMI Licensing LLC in the United States and other countries.
  - Blu-ray Disc<sup>™</sup> and Blu-ray<sup>™</sup> are trademarks of Blu-ray Disc Association.
  - MHL<sup>®</sup>, the MHL logo, and Mobile High-Definition Link are trademarks or registered trademarks of MHL, LLC in the United States and other countries.
- All other trademarks are the properties of their respective owners.

### End User License Agreement for the Projector Software

- Software in the projector consists of the plural number of independent software modules and there exist our copyright or/and third party copyrights for each of such software modules.
- Be sure to read “End User License Agreement for the Projector Software” which is separated document. (in the CD)

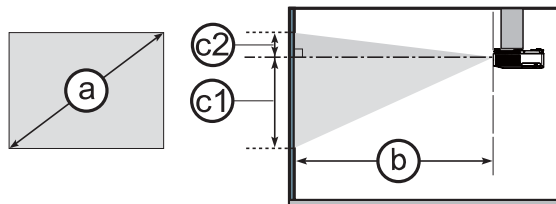
F-1

• On a horizontal surface



F-2

• Suspended from the ceiling



T-1 TBA

(1024 x 768) (±10%)

a Screen size (diagonal)		4 : 3 screen								16 : 10 screen								16 : 9 screen							
		b Projection distance				c1 Screen height		c2 Screen height		b Projection distance				c1 Screen height		c2 Screen height		b Projection distance				c1 Screen height		c2 Screen height	
		min.		max.		height		height		min.		max.		height		height		min.		max.		height		height	
type (inch)	m	m	inch	m	inch	cm	inch	cm	inch	m	inch	m	inch	cm	inch	cm	inch	m	inch	m	inch	cm	inch	cm	inch
30	0.8	0.8	30	1.3	51	38	15	8	3	0.8	33	1.4	55	36	14	4	2	0.9	34	1.4	56	35	14	2	1
40	1.0	1.1	42	1.8	70	51	20	10	4	1.1	45	1.9	74	48	19	5	2	1.2	46	1.9	76	47	19	3	1
50	1.3	1.4	53	2.2	88	64	25	13	5	1.4	57	2.4	93	61	24	7	3	1.5	58	2.4	96	59	23	3	1
60	1.5	1.6	65	2.7	106	76	30	15	6	1.7	69	2.9	113	73	29	8	3	1.8	71	3.0	116	71	28	4	2
70	1.8	1.9	76	3.2	125	89	35	18	7	2.1	81	3.4	132	85	33	9	4	2.1	83	3.5	136	82	32	5	2
80	2.0	2.2	87	3.6	143	102	40	20	8	2.4	93	3.9	152	97	38	11	4	2.4	96	4.0	156	94	37	6	2
90	2.3	2.5	99	4.1	161	114	45	23	9	2.7	105	4.4	171	109	43	12	5	2.7	108	4.5	176	106	42	6	2
100	2.5	2.8	110	4.6	180	127	50	25	10	3.0	117	4.8	191	121	48	13	5	3.1	120	5.0	196	118	46	7	3
120	3.0	3.4	133	5.5	217	152	60	30	12	3.6	141	5.8	230	145	57	16	6	3.7	145	6.0	236	141	56	8	3
150	3.8	4.2	167	6.9	272	191	75	38	15	4.5	177	7.3	288	182	72	20	8	4.6	182	7.5	296	176	69	10	4
200	5.1	5.7	224	9.2	363	254	100	51	20	6.0	238	9.8	385	242	95	27	11	6.2	244	10.1	396	235	93	14	5
250	6.4	7.1	281	11.6	455	318	125	64	25	7.6	298	12.3	483	303	119	34	13	7.8	306	12.6	496	294	116	17	7
300	7.6	8.6	338	13.9	547	381	150	76	30	9.1	358	14.7	580	363	143	40	16	9.4	368	15.1	596	353	139	21	8

**T-2 8950W**

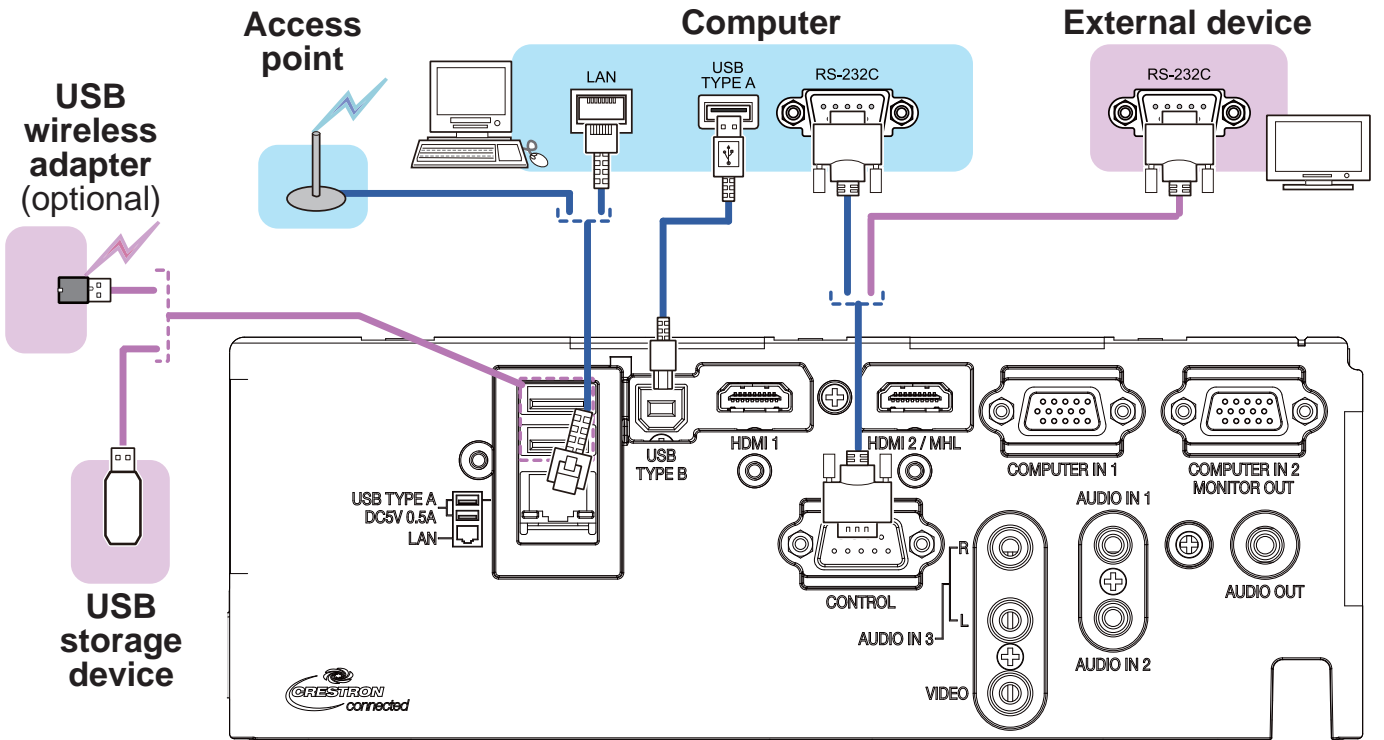
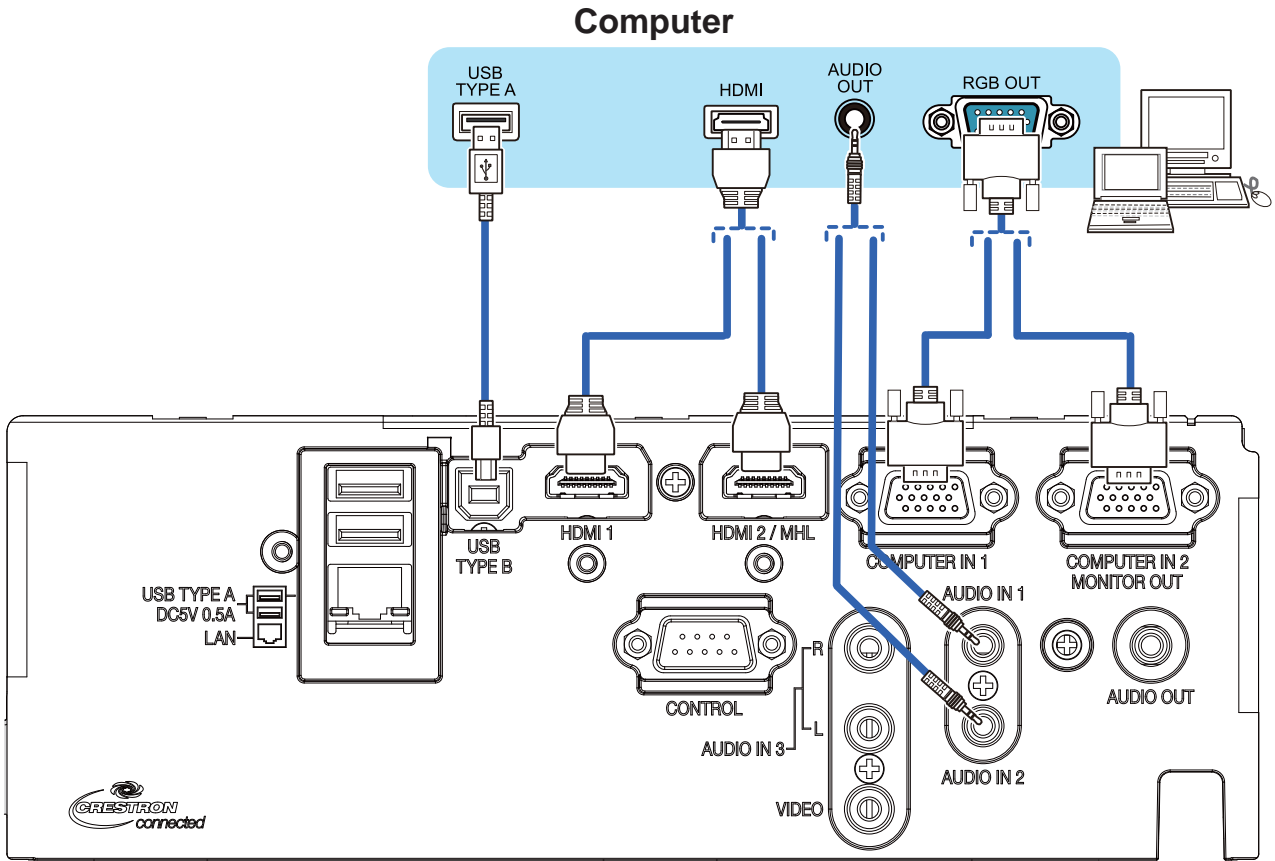
(1280 x 800) (±10%)

① Screen size (diagonal)		16 : 10 screen								16 : 9 screen								4 : 3 screen							
		② Projection distance				③ Screen height		④ Screen height		② Projection distance				③ Screen height		④ Screen height		② Projection distance				③ Screen height		④ Screen height	
		min.		max.		cm		inch		min.		max.		cm		inch		min.		max.		cm		inch	
type (inch)	m	m	inch	m	inch	cm	inch	cm	inch	m	inch	m	inch	cm	inch	cm	inch	m	inch	m	inch	cm	inch	cm	inch
30	0.8	0.8	33	1.4	55	36	14	4	2	0.9	34	1.4	56	35	14	2	1	0.9	37	1.6	62	41	16	5	2
40	1.0	1.1	45	1.9	74	48	19	5	2	1.2	46	1.9	76	47	19	3	1	1.3	51	2.1	84	55	22	6	2
50	1.3	1.4	57	2.4	93	61	24	7	3	1.5	58	2.4	96	59	23	3	1	1.6	65	2.7	106	69	27	8	3
60	1.5	1.7	69	2.9	113	73	29	8	3	1.8	71	3.0	116	71	28	4	2	2.0	78	3.3	128	82	32	9	4
70	1.8	2.1	81	3.4	132	85	33	9	4	2.1	83	3.5	136	82	32	5	2	2.3	92	3.8	150	96	38	11	4
80	2.0	2.4	93	3.9	152	97	38	11	4	2.4	96	4.0	156	94	37	6	2	2.7	106	4.4	172	110	43	12	5
90	2.3	2.7	105	4.4	171	109	43	12	5	2.7	108	4.5	176	106	42	6	2	3.0	119	4.9	194	123	49	14	5
100	2.5	3.0	117	4.8	191	121	48	13	5	3.1	120	5.0	196	118	46	7	3	3.4	133	5.5	217	137	54	15	6
120	3.0	3.6	141	5.8	230	145	57	16	6	3.7	145	6.0	236	141	56	8	3	4.1	160	6.6	261	165	65	18	7
150	3.8	4.5	177	7.3	288	182	72	20	8	4.6	182	7.5	296	176	69	10	4	5.1	201	8.3	327	206	81	23	9
200	5.1	6.0	238	9.8	385	242	95	27	11	6.2	244	10.1	396	235	93	14	5	6.8	269	11.1	437	274	108	30	12
250	6.4	7.6	298	12.3	483	303	119	34	13	7.8	306	12.6	496	294	116	17	7	8.6	338	13.9	547	343	135	38	15
300	7.6	9.1	358	14.7	580	363	143	40	16	9.4	368	15.1	596	353	139	21	8	10.3	406	16.7	657	411	162	46	18

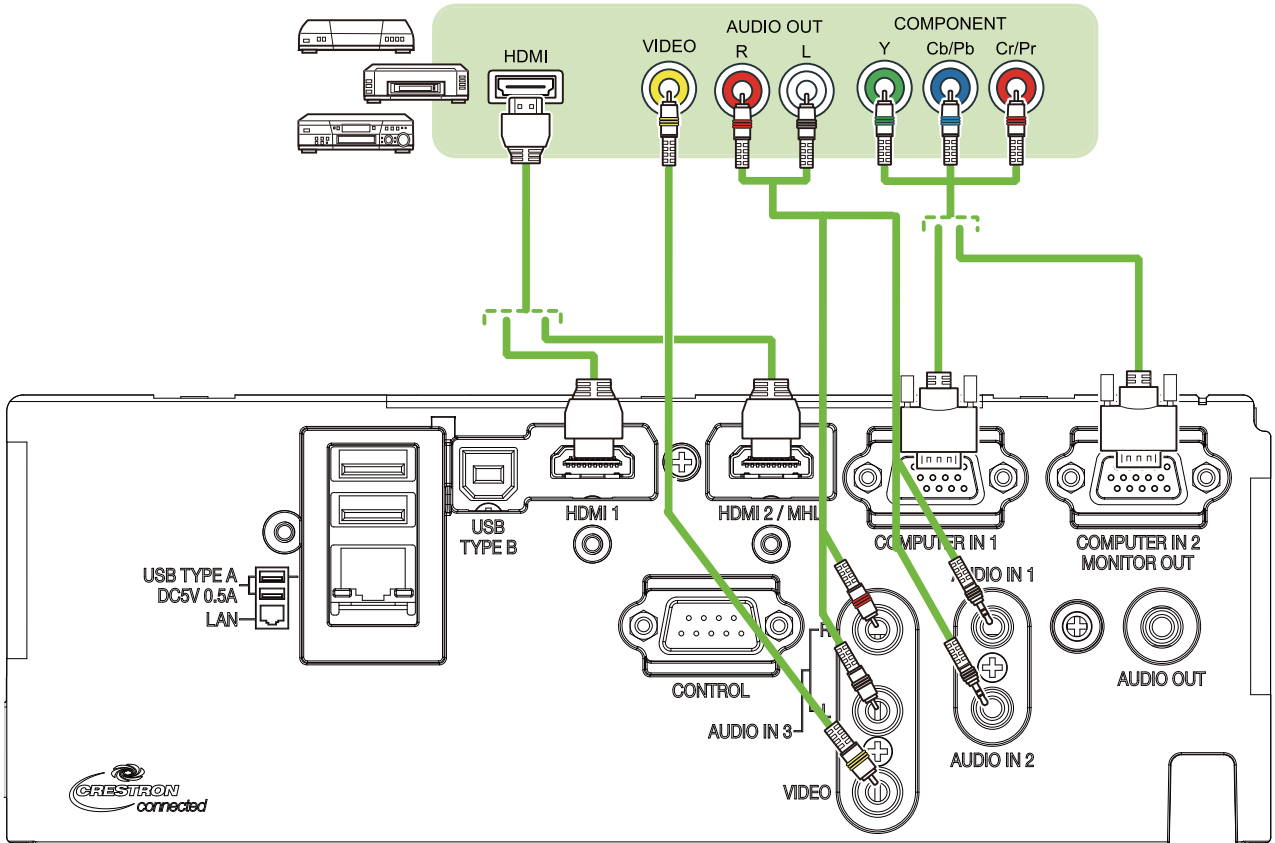
**T-3 8945WU**

(1920 x 1200) (±10%)

① Screen size (diagonal)		16 : 10 screen								16 : 9 screen								4 : 3 screen							
		② Projection distance				③ Screen height		④ Screen height		② Projection distance				③ Screen height		④ Screen height		② Projection distance				③ Screen height		④ Screen height	
		min.		max.		cm		inch		min.		max.		cm		inch		min.		max.		cm		inch	
type (inch)	m	m	inch	m	inch	cm	inch	cm	inch	m	inch	m	inch	cm	inch	cm	inch	m	inch	m	inch	cm	inch	cm	inch
30	0.8	0.8	30	1.3	50	35	14	5	2	0.8	31	1.3	52	34	13	3	1	0.9	34	1.5	57	40	16	6	2
40	1.0	1.0	41	1.7	68	47	18	7	3	1.1	42	1.8	70	45	18	4	2	1.2	47	2.0	78	53	21	8	3
50	1.3	1.3	52	2.2	86	59	23	9	3	1.4	54	2.3	89	57	22	6	2	1.5	60	2.5	98	66	26	10	4
60	1.5	1.6	63	2.6	104	70	28	10	4	1.7	65	2.7	107	68	27	7	3	1.8	72	3.0	119	80	31	12	5
70	1.8	1.9	75	3.1	122	82	32	12	5	1.9	77	3.2	126	79	31	8	3	2.2	85	3.5	139	93	37	14	5
80	2.0	2.2	86	3.6	140	94	37	14	5	2.2	88	3.7	144	91	36	9	3	2.5	97	4.0	159	106	42	16	6
90	2.3	2.5	97	4.0	158	105	42	16	6	2.5	100	4.1	163	102	40	10	4	2.8	110	4.6	180	119	47	18	7
100	2.5	2.7	108	4.5	176	117	46	17	7	2.8	111	4.6	181	114	45	11	4	3.1	123	5.1	200	133	52	20	8
120	3.0	3.3	130	5.4	212	141	55	21	8	3.4	134	5.5	218	136	54	13	5	3.8	148	6.1	241	159	63	24	9
150	3.8	4.2	164	6.8	266	176	69	26	10	4.3	168	7.0	274	170	67	17	7	4.7	186	7.7	302	199	78	30	12
200	5.1	5.6	220	9.1	357	234	92	35	14	5.7	226	9.3	367	227	89	22	9	6.3	249	10.3	404	265	104	40	16
250	6.4	7.0	275	11.3	447	293	115	44	17	7.2	283	11.7	459	284	112	28	11	7.9	312	12.9	506	332	131	49	19
300	7.6	8.4	331	13.6	537	352	138	52	21	8.7	341	14.0	552	341	134	33	13	9.5	376	15.4	608	398	157	59	23

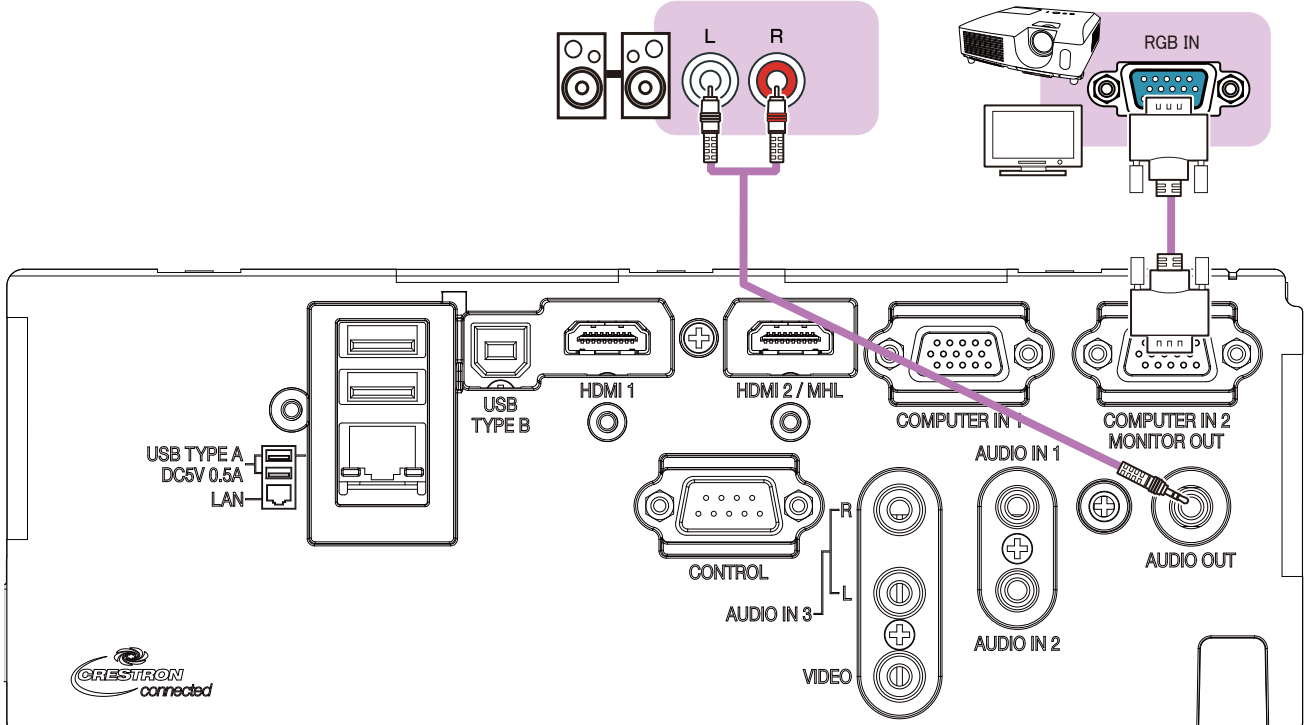


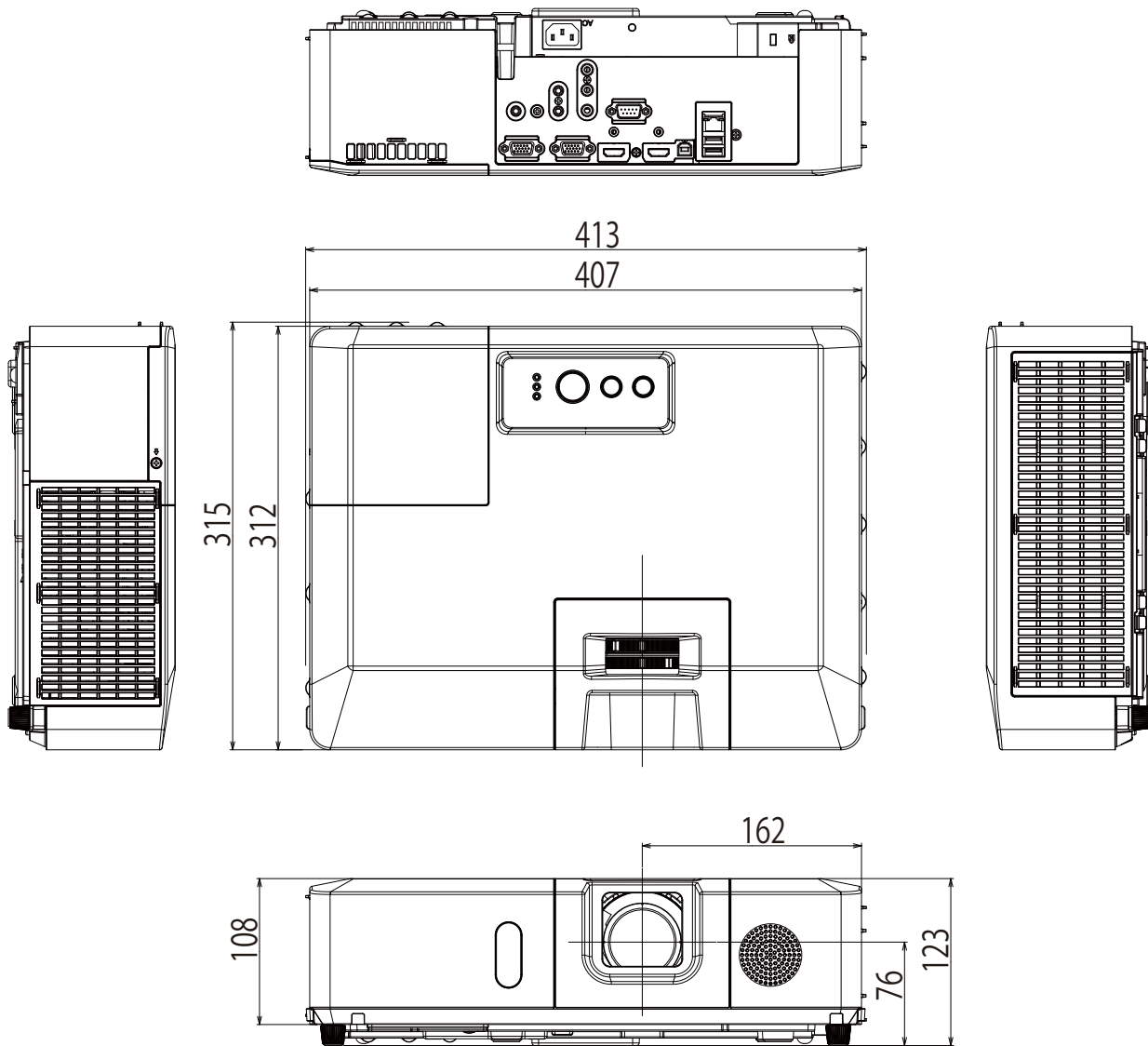
VCR/DVD/Blu-ray Disc™ player



Speakers  
(with an amplifier)

Monitor





[unit: mm]

**DUKANE CORP AV SERVICE DEPT**  
**2900 Dukane Drive**  
**St Charles, IL 60174**  
**800-676-2487 / 630-762-4032**  
**Fax 630-584-5156**  
**avservice@dukane.com**  
**www.dukaneav.com**