



VP-410

Composite Video & Stereo Audio to HDMI
Scaler

| HDMI



The VP-410 is a high-performance scaler for composite video and audio to HDMI signals. It scales the composite video, embeds stereo audio and converts the signal to an HDMI output

FEATURES

HDTV Compatible

Output Resolutions - 480p, 576p, 720p, 1080i and 1080p

Controls - Front panel with On-Screen Display (OSD)

Built-in ProcAmp - Color, sharpness, brightness, contrast, etc

Compact Kramer TOOLS™ - 3 units can be rack mounted side-by-side in a 1U rack space with the recommended rack adapter

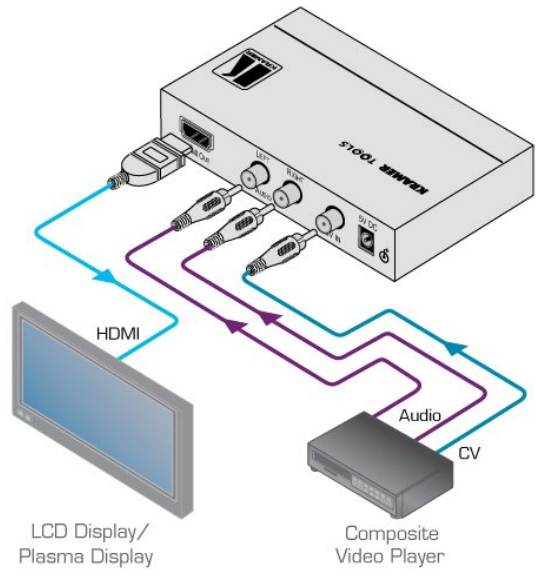


KRAMER

TECHNICAL SPECIFICATIONS

INPUTS:	1 composite video, 1Vpp/75Ω on an RCA connector; 1 unbalanced stereo audio, 1Vpp/47kΩ on RCA connectors
OUTPUT:	1 HDMI
OUTPUT RESOLUTIONS:	HDTV: 480p, 576p, 720p, 1080i, 1080p
PROCESSING DELAY:	2 frames
CONTROLS:	Front panel buttons for output resolution and menu driven OSD control
ADDITIONAL CONTROLS:	Contrast, brightness, saturation, hue, auto sync, aspect ratio, overscan, noise reduction
POWER CONSUMPTION:	5V DC, 430mA
Environmental Conditions	Operating Temperature 0° to +40°C (32° to 104°F) Storage Temperature -40° to +70°C (-40° to 158°F) Humidity 10% to 90%, RHL non-condensing
INCLUDED ACCESSORIES:	Power supply
Product Dimensions	12.00cm x 7.15cm x 2.44cm (4.72" x 2.81" x 0.96") W, D, H
Product Weight	0.2kg (0.4lbs) approx
Shipping Dimensions	15.70cm x 12.00cm x 8.70cm (6.18" x 4.72" x 3.43") W, D, H
Shipping Weight	0.5kg (1.1lbs) approx





LCD Display/
Plasma Display

Composite
Video Player