



## RK-21 Quick Start Guide

This guide helps you install and use your product for the first time. For more detailed information, go to <http://www.kramerav.com/manual/RK-21> to download the latest manual or scan the QR code on the left.

### Step 1: Check what's in the box

- ✓ The RK-21 Rack Adapter: 2 extension brackets and 1 fastening bracket
- ✓ 6 M3x5 flat-head screws

- ✓ 1 Quick start guide

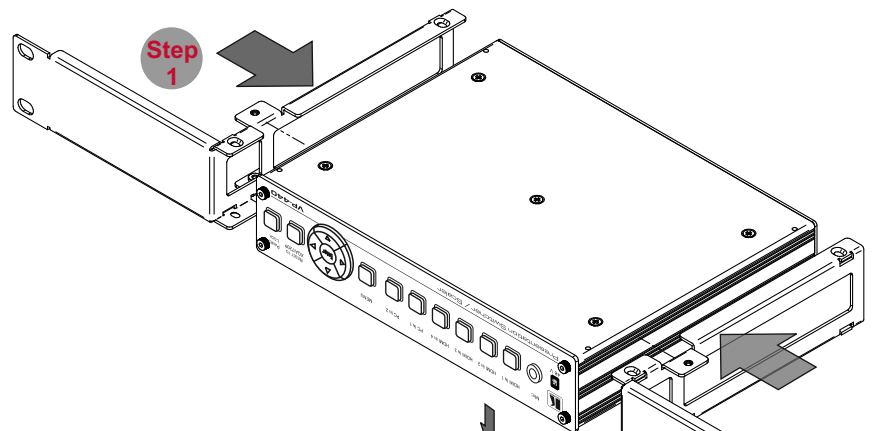
### Step 2: mounting the RK-21

The RK-21 Rack Adapter lets you mount a Kramer (8.5"-wide) desktop device to fit into a 19" rack space.

#### Step 1

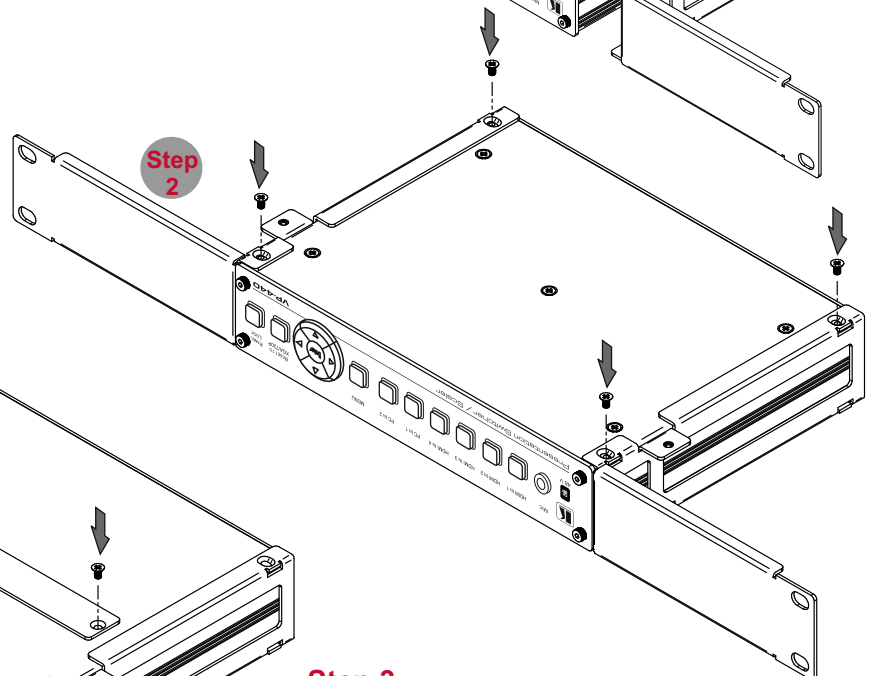
Turn the desktop device upside down (the Kramer VP-440 in this example).

Fit the two extension brackets to the sides of the device.

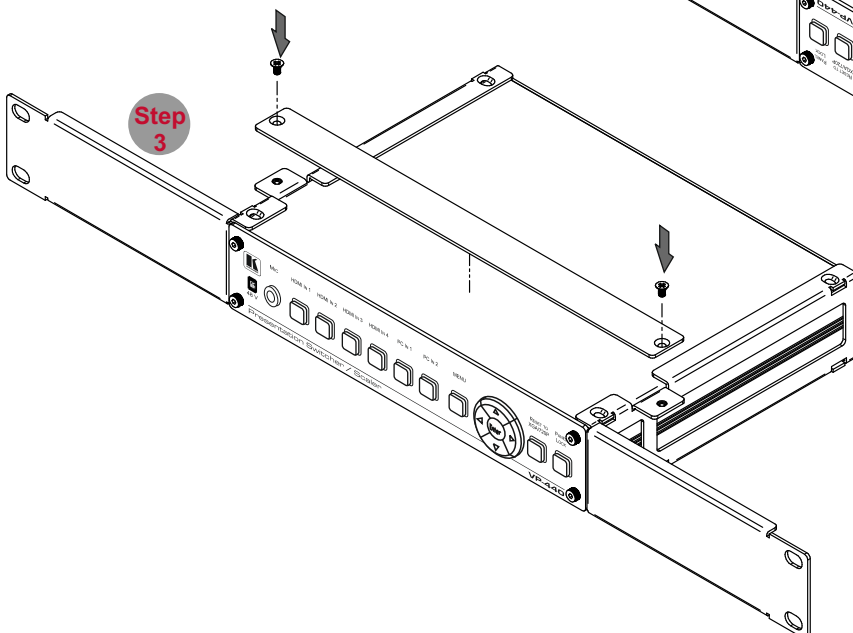


#### Step 2

Attach both extension brackets (one on each side of the device) by screwing four M3x5 screws (two on each side) through the brackets and onto the four holes in the device.



#### Step 3



#### Step 3

Turn the device and attached brackets upright.

Attach the fastening bracket using 2 M3x5 screws.

The device can now be attached to a 19" rack space.

