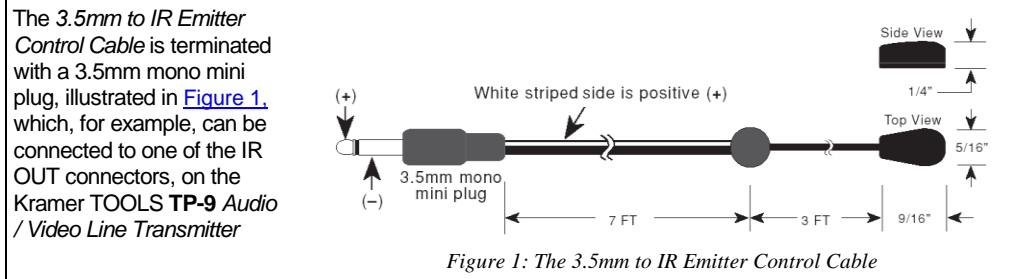
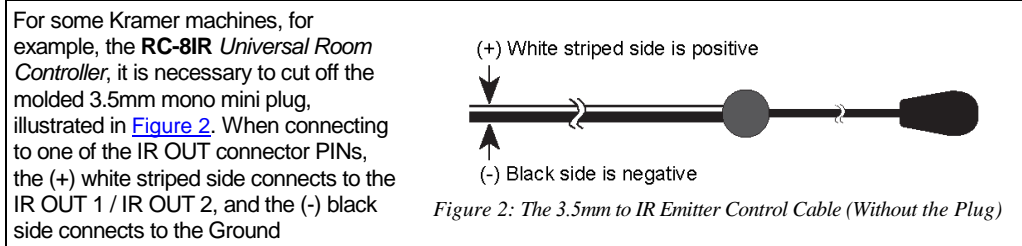


3.5mm to IR Emitter Control Cable (C-A35/IRE-10)

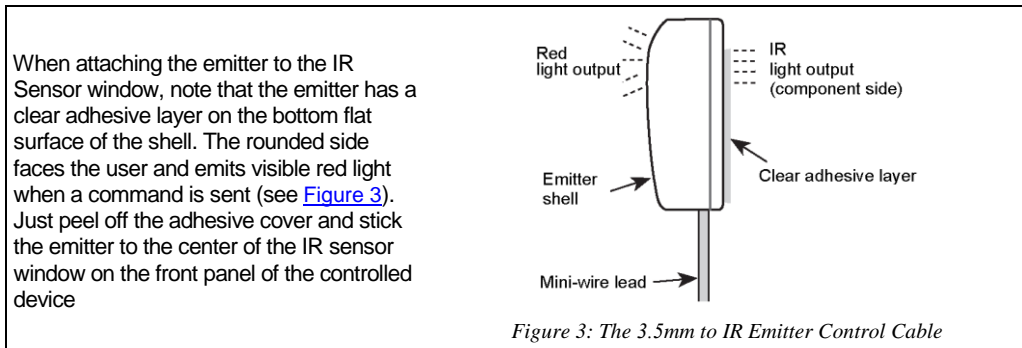
Congratulations on purchasing your Kramer 3.5mm to IR Emitter Control Cable (C-A35/IRE-10), which is designed to be installed directly on the IR sensor window of the controlled device. It contains a small infrared LED housed in a miniature, mouse shaped, black plastic shell. It emits visible red light in addition to IR (infrared) control signals when activated by IR commands sent to it by IR receivers or other controllers. The 3.5mm to IR Emitter Control Cable comes with a clear adhesive film included on the emitter housing for attachment to the IR window of the controlled component and pieces of double-sided clear adhesive tape included for replacement purposes.



When connecting the 3.5mm to IR Emitter Control Cable to one of the two optional IR Emitter Extension Cables, connect the 3.5mm mono mini plug to the 3.5mm female mono mini connector.



Attaching the Emitter to the IR Sensor Window

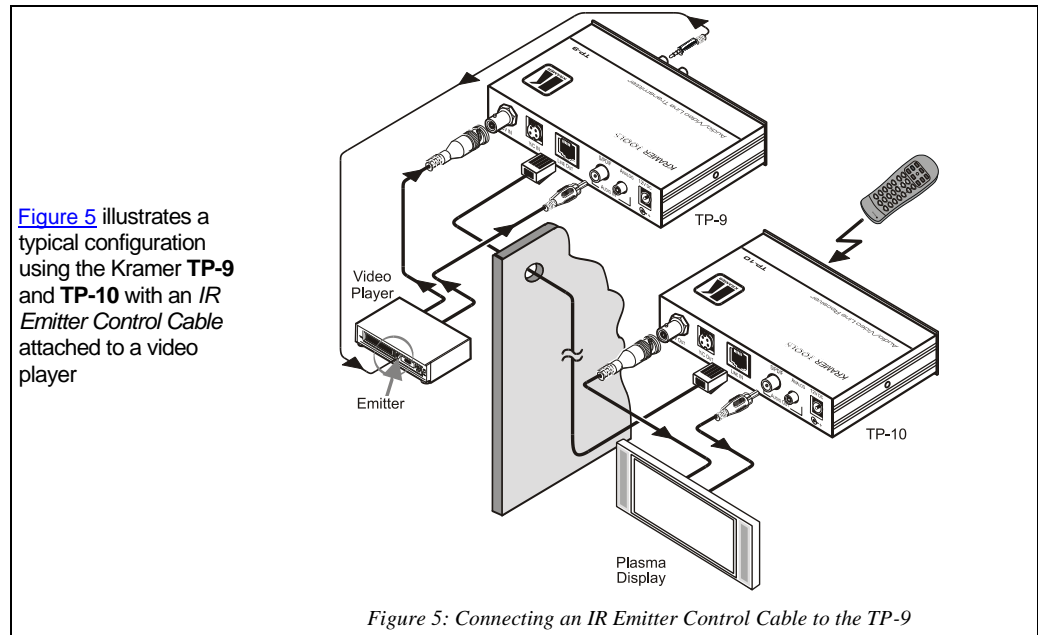
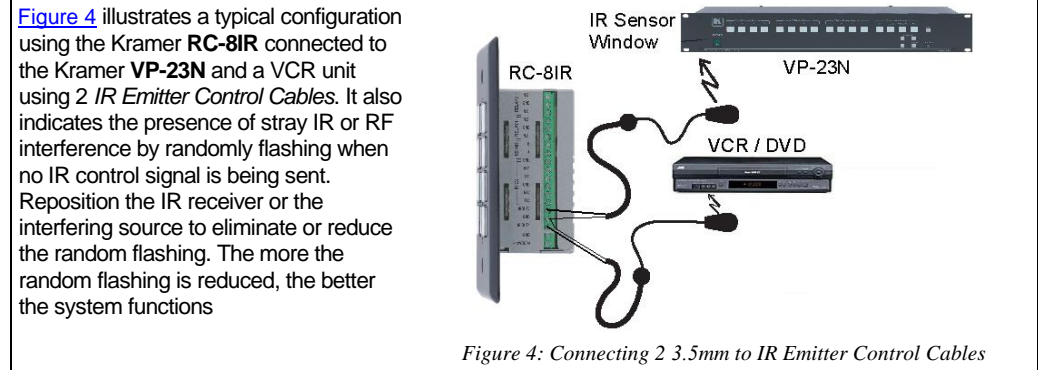


Refer to the relevant device's user manual if you have difficulty finding the exact location of the IR sensor window on the device. Note that:

- Double-sided adhesive tape is provided. If you decide to move the emitter to a different device, use this adhesive tape to replace the current adhesive layer for best adhesion
- The Emitter shell, although dark in appearance, is transparent to infrared light. Consequently, commands from a handheld remote control may pass through it. This enables direct control of the equipment from a handheld remote transmitter, as well as from the Emitter

CONNECTING THE EMITTERS

Note: You must disconnect the power to the device before connecting or disconnecting the IR Emitter control cable.



A Kramer 3.5mm to Dual IR Emitter Control Cable (C-A35/2IRE-10) is also available. In addition, two IR Emitter Extension Cables are also available: a 15 meter cable and a 20 meter cable.



3.5mm to IR Emitter Control Cable Installation Instructions

C-A35/IRE-10

For the latest information on our products and a list of Kramer distributors, visit our
Web site: www.kramerelectronics.com



P/N: 2900-000172



Rev: 2

Kramer Electronics, Ltd.
Web site: www.kramerelectronics.com
E-mail: info@kramerel.com
P/N: 2900-000172 REV 2