



Scan for full manual

## KT-107-INWL Quick Start Guide

This guide helps you install and use your **KT-107-INWL** for the first time.

Go to [www.kramerav.com/downloads/KT-107-INWL](http://www.kramerav.com/downloads/KT-107-INWL) to download the latest manual and check for updates.

### Step 1: Check what's in the box

- ✓ **KT-107-INWL** enclosure
- ✓ 1 Cardboard cut-out template
- ✓ 1 Quick start guide
- ✓ 4 4x1/2" screws for wood (packed separately)
- ✓ 4 Inner frame M3x8 screws (packed separately)
- ✓ Outer frame
- ✓ Inner frame

### Step 2: Get to know your KT-107-INWL

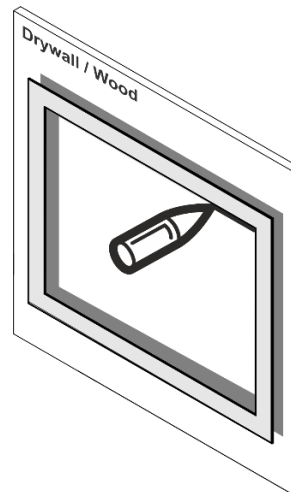
The **KT-107-INWL** In-Wall Kit secures **KT-107**, **KT-107RB** and **KT-107S** Touch Panels safely into a wall (drywall, wood, or concrete).

### Step 3: Prepare the surface for installation

For drywall and wooden surfaces:

1. Place the cut-out template (included, use for drywall and wood installations) over the surface exactly where you want to install **KT-107-INWL**.
2. Mark the **inside** edge (W, H: 19.5cm x 15cm) of the template and cut an opening in the surface according to the given dimensions.

**!** Kramer is not responsible for any damage caused to the surface.

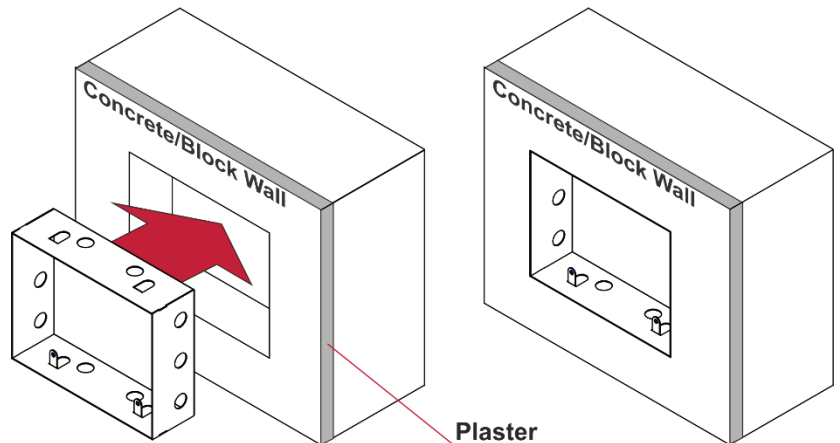


For concrete or block wall surfaces:

**i** Use the Kramer **KT-107-INWB** in-wall box (purchased separately) for concrete installations.

1. Make sure that the prepared opening in the concrete fits the dimensions of the in-wall junction box.
2. Insert the **KT-107-INWB** into the opening.

**i** Make sure to place the **KT-107-INWB** flush with the plaster surface.

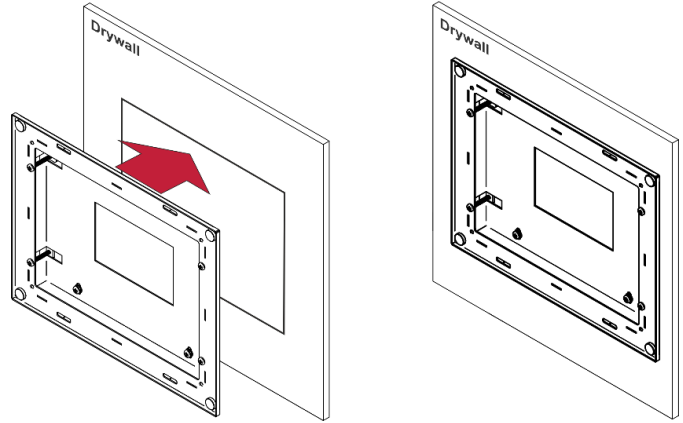


## Step 4: Mount the KT-107-INWL enclosure

For each surface type you need to use different screws to mount the **KT-107-INWL** enclosure.

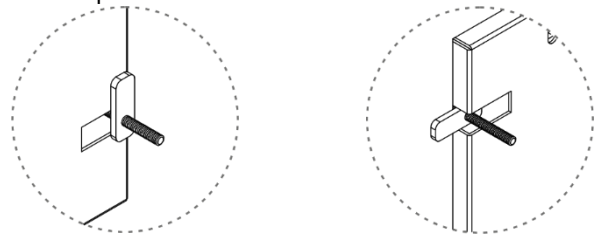
### For drywall surfaces:

1. Insert the **KT-107-INWL** enclosure into the opening.



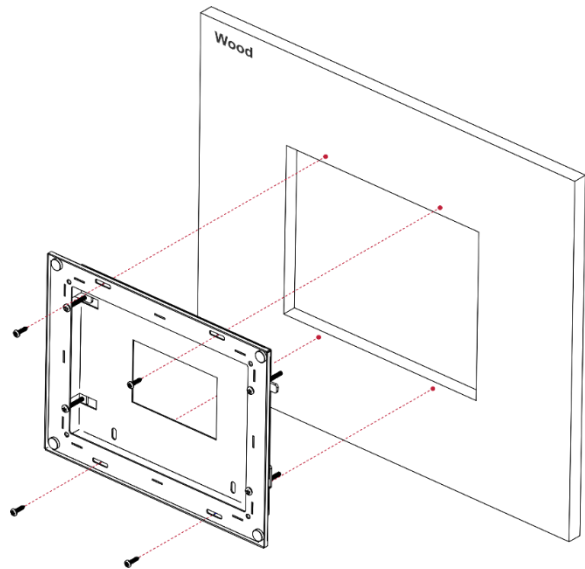
2. Slightly release the 4 drywall screws until you notice (via the openings next to the drywall screws) that the drywall anchor turns outwards.
3. Tighten the screws to fix the enclosure in place.

Rear view of drywall screw anchor in the vertical position and tightened, in the horizontal position:



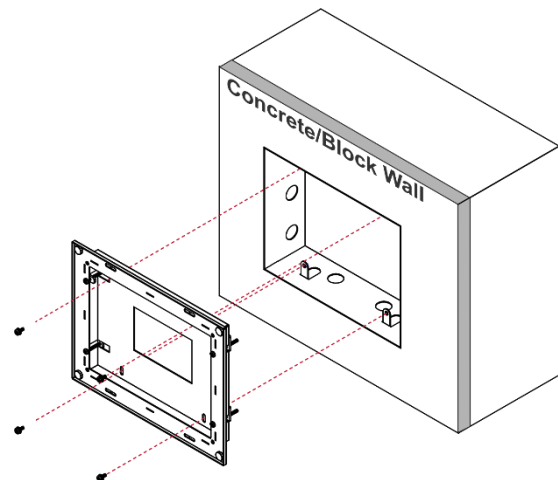
### For wooden surfaces:

- Insert the 4 4x1/2" wood screws (supplied) through the wood screw-openings and tighten to the wooden surface.



### For concrete surfaces:

1. Place the **KT-107-INWL** enclosure inside the junction box opening.
2. Insert the 4 concrete screws (supplied with **KT-107-INWB**) through the **KT-107-INWL** enclosure concrete screw-openings and the screw openings of the junction box, and tighten.



## Step 5: Prepare the Touch Panel for installation

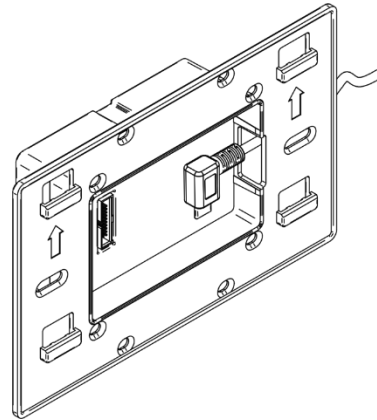
Before attaching the touch panel to the **KT-107-INWL** enclosure, you need to attach the panel-mount plate to the rear side of the Touch Panel and then to the on-wall mount.



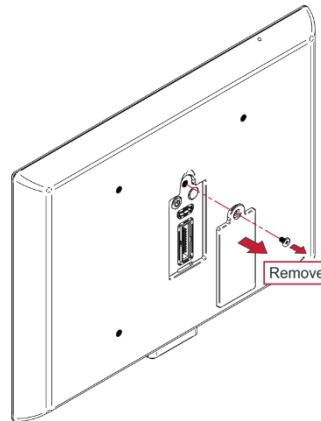
The panel-mount plate and the on-wall mount are supplied with the Touch Panel.

To prepare the touch panel for installation:

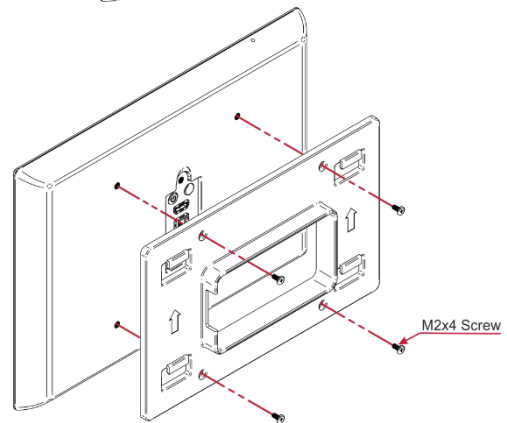
1. Insert the cables through the openings of the Touch-Panel on-wall mount (for example, a USB cable to connect to an external device).



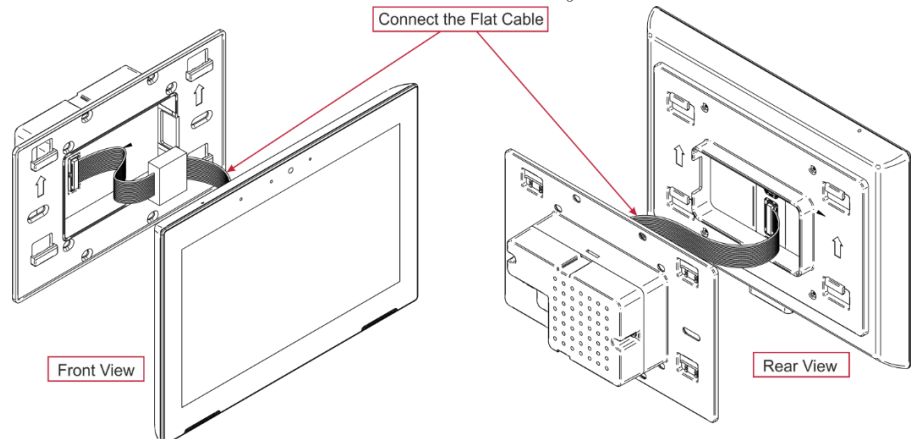
2. On the rear side of the Touch Panel, unscrew the cover and set the cover and screw aside.



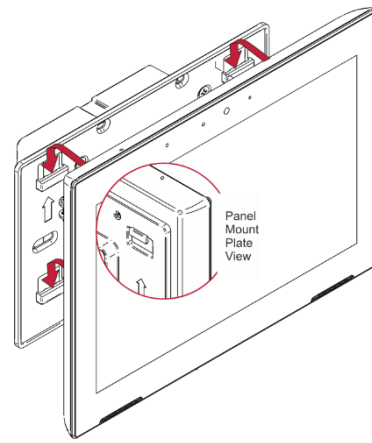
3. Attach the panel mount plate onto the rear side of the Touch Panel using the 4 M2x4 screws (supplied with the Touch Panel) and tighten.



4. Connect the flat cable between the on-wall mount and the Touch Panel.



- Slide the Touch Panel panel-mount tabs over the grooves on the on-wall mount unit.



## Step 6: Assemble the Touch Panel

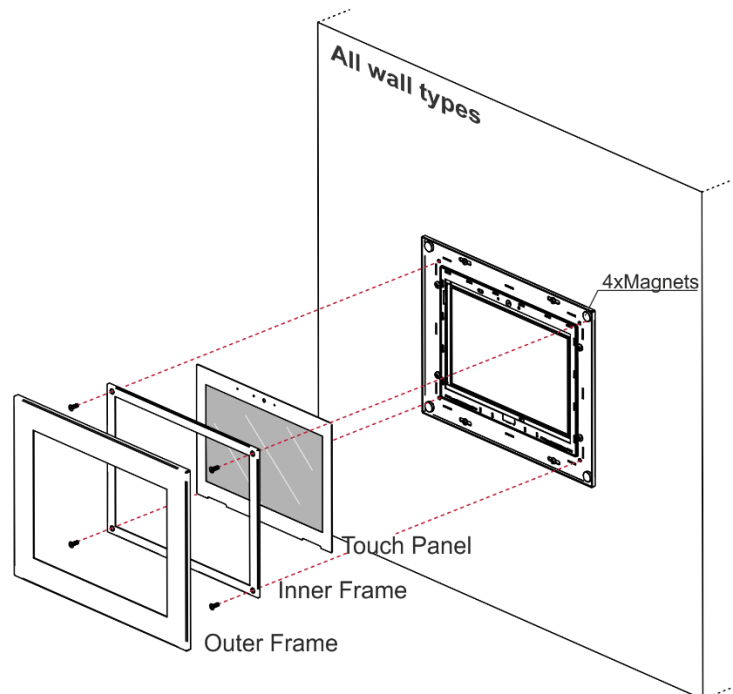
Once the **KT-107-INWL** enclosure is mounted and the Touch Panel prepared, you can mount it onto the **KT-107-INWL** enclosure.

To assemble the Touch Panel:



To prevent any damage to the Touch Panel, use the M3x8 screws for attaching the inner frame to the **KT-107-INWL** enclosure.

- Insert the Touch Panel.
- Place the inner frame over the inner panel and fix with the 4 M3x8 screws (supplied).
- Attach the outer frame to the four magnets on the **KT-107-INWL** enclosure.



## Technical Specifications

Environmental Conditions	Operating Temperature	0° to +40°C (32° to 104°F)
	Storage Temperature	-40° to +70°C (-40° to 158°F)
	Humidity	10% to 90%, RH non-condensing
Regulatory Compliance	Safety	CE
	Environmental	RoHs, WEEE
General	Net Dimensions (W, D, H)	22.4cm x 16.6cm x 5.3cm (8.8" x 6.5" x 2.1")
	Shipping Dimensions (W, D, H)	35.1cm x 21.2cm x 7.2cm (13.8" x 8.4" x 2.8")
	Cardboard Template opening Dimensions (W, H)	19.5cm x 15cm (7.68" x 5.91")
	Net Weight	0.6kg (1.3lbs) approx.
	Shipping Weight	0.8kg (1.8lbs) approx.
Accessories	Included	<b>KT-107-INWL</b> (enclosure, inner frame and outer frame), 1 pack of 4 screws for wood (4x1/2"), 1 pack of 4 screws for the inner frame (M3x8)
	Optional	<b>KT-107-INWB</b> Junction box for concrete in-wall installations
Specifications are subject to change without notice at <a href="http://www.kramerav.com">www.kramerav.com</a>		