

6652WSSB/6652WUSSB/6660WUSSB Installation Guide

Desktop and Ceiling Mount

Rev 1.0

Contents

Product Description, Lens Specs, Screen/Aspect Ratio	
Notes	Pg 1
Distance Charts and Formulas	Pg 2-3
Ceiling Mount/Desktop Installation	Pg 4
Lens Shift Adjustable Range	Pg 5
Cabinet Dimensions	Pg 6-7
Ventilation Requirements, Input Panel and Control Panel	Pg 8
Control Codes	Pg 9



Product Description

Type:	3 panel LCD projector, 0.64" p-Si TFT w/MLA	Dimensions: 18.9"(W) x 5.6"(H) x 16.0"(D)	Weight: 21.4 lbs
Resolution:	6652WSSB: 1280 x 800 (16:10) 6652WUSSB: 1920 x 1200 (16:10) 6660WUSSB: 1920 x 1200 (16:10)	Brightness:	6652WSSB: 5200 Center Lumens 6652WUSSB: 5200 Center Lumens 6660WUSSB: 6000 Lumens
Fan Noise:	6652WSSB/6652WUSSB: 24 dB / 22dB @ 1 meter 6660WUSSB: 25 dB / 19 dB @ 1 meter		
Power Consumption:	6652WSSB: 320W (max) 6652WUSSB: 330W (max) 6660WUSSB: 367W (max)	BTU's:	6652WSSB: 1091.9 BTU/hour (max) 6652WUSSB: 1126.0 BTU/hour (max) 6660WUSSB: 1252.3 BTU/hour (max)

Network Ready: Integrated wired (RJ45) and (optional) wireless adapter
Manual: Horizontal & Vertical Lens Shift, Zoom, Focus

Lens Specifications

Throw Ratio:	1.23 – 2.0:1 (for 100" diagonal)	Focal Length:	17.2mm – 27.6mm
Offset Angle:	4.8° - 8.0° (for 100" diagonal)	F/#:	1.5 – 2.1
Screen Sizes:	25" - 300" diagonal	Manual Focus/Manual Zoom/Manual Lens Shift	

Screen/Aspect Ratio

4:3, 16:9 and 16:10 screens are fully supported with proper aspect ratio control for both type sources using new developed scaling technology. Menu selections have settings for each screen type and aspect ratio control for each source type.

Notes

- For screen sizes not indicated on the projection tables, use the formulas below.
If the figures on the tables do not match the results of formulas, use the figures in the table..
- Distances are in inches, for millimeters multiply by 25.4.
- Distances may vary $\pm 5\%$.

DUKANE CORP AV SERVICE DEPT
2900 Dukane Drive
St Charles, IL 60174
800-676-2487 / 630-762-4032
Fax 630-584-5156
avservice@dukane.com
www.dukaneav.com

6652WSSB/6652WUSSB/6660WUSSB Installation Guide

Desktop and Ceiling Mount

Rev 1.0

Formulas: 16:10 Aspect Ratio (6652WSSB—WXGA)

The Projection Formulas use the image width for calculation. Image width is the same for all aspect ratios, only vertical image size varies. For proper projector placement, determine the image width for a desired screen size. Use the Screen Formulas below to calculate all screen dimensions. Plug in the image width for “W” in the Projection Formulas.

Refer to the diagrams and charts for popular screen sizes on page 4:

16:10 Screen Formulas:

$$W = H \times 16/10$$

$$H = W \times 10/16$$

$$\text{Screen Diagonal} = W \times 18.868/16$$

Projection Formulas:

$$B (\text{max}) = 0.347W$$

$$B (\text{min}) = 0$$

$$C (\text{wide}) = 1.263W - 3.138$$

$$C (\text{tele}) = 2.264W - 3.138$$

$$D (\text{max}) = -0.053W$$

$$D (\text{min}) = 0.313W$$

$$\alpha (\text{wide}) = \tan^{-1} (B/C(\text{wide}))$$

$$\alpha (\text{tele}) = \tan^{-1} (B/C(\text{tele}))$$

$$\text{Horizontal Lens Shift Max (Right)} = 0.15W$$

$$\text{Horizontal Lens Shift Max (Left)} = 0.-15W$$

Note: For screen sizes not indicated on the projection tables, use the formulas on page 1.

Distance Charts

The following shows the proper relative positions of the projector and screen. Refer to the table to determine the position of installation. Distances are in inches. For millimeters multiply by 25.4.

Screen Size (16:10)			B max - min	C wide - tele	D max - min	α wide - tele	Horizontal Lens Shift	
Diagonal	Width(W)	Height (H)					Max (Right)	Max (Left)
inches	inches	inches	inches	inches	inches	degrees	inches	
57	48	30	17 - 0	58 - 106	-2 - 15	16.2 - 9.0	7.2504	-7.25
66	56	35	19 - 0	68 - 124	-2 - 18	16.0 - 8.9	8	-8
68	58	36	20 - 0	70 - 127	-2 - 18	16.0 - 8.9	9	-9
75	64	40	22 - 0	77 - 141	-2 - 20	16.0 - 8.9	10	-10
79	67	42	23 - 0	81 - 149	-2 - 21	15.9 - 8.9	10	-10
85	72	45	25 - 0	88 - 160	-3 - 23	15.9 - 8.9	11	-11
92	78	49	27 - 0	95 - 173	-3 - 24	15.8 - 8.9	12	-12
98	83	52	29 - 0	102 - 185	-3 - 26	15.8 - 8.9	12	-12
102	86	54	30 - 0	106 - 193	-3 - 27	15.8 - 8.9	13	-13
111	94	59	33 - 0	116 - 210	-3 - 29	15.8 - 8.8	14	-14
113	96	60	33 - 0	118 - 214	-3 - 30	15.8 - 8.8	14	-14
123	104	65	36 - 0	129 - 233	-4 - 33	15.7 - 8.8	16	-16
125	106	66	37 - 0	131 - 237	-4 - 33	15.7 - 8.8	16	-16
147	125	78	43 - 0	154 - 279	-4 - 39	15.7 - 8.8	19	-19
149	126	79	44 - 0	156 - 283	-4 - 40	15.7 - 8.8	19	-19
213	181	113	63 - 0	225 - 406	-6 - 57	15.6 - 8.8	27	-27
255	216	135	75 - 0	270 - 486	-8 - 68	15.5 - 8.8	32	-32
270	229	143	79 - 0	286 - 515	-8 - 72	15.5 - 8.8	34	-34
300	254	159	88 - 0	318 - 573	-9 - 80	15.5 - 8.8	38	-38

6652WSSB/6652WUSSB/6660WUSSB Installation Guide

Desktop and Ceiling Mount

Rev 1.0

Formulas: 16:10 Aspect Ratio (6652WUSSB/6660WUSSB—WUXGA)

The Projection Formulas use the image width for calculation. Image width is the same for all aspect ratios, only vertical image size varies. For proper projector placement, determine the image width for a desired screen size. Use the Screen Formulas below to calculate all screen dimensions. Plug in the image width for "W" in the Projection Formulas.

Refer to the diagrams and charts for popular screen sizes on page 4:

16:10 Screen Formulas:

$$W = H \times 16/10$$

$$H = W \times 10/16$$

$$\text{Screen Diagonal} = W \times 18.868/16$$

Projection Formulas:

$$B (\text{max}) = 0.347W$$

$$B (\text{min}) = 0$$

$$C (\text{wide}) = 1.238W - 1.818$$

$$C (\text{tele}) = 1.999W - 1.727$$

$$D (\text{max}) = -0.053W$$

$$D (\text{min}) = 0.313W$$

$$\alpha (\text{wide}) = \tan^{-1} (B/C(\text{wide}))$$

$$\alpha (\text{tele}) = \tan^{-1} (B/C(\text{tele}))$$

$$\text{Horizontal Lens Shift Max (Right)} = 0.15W$$

$$\text{Horizontal Lens Shift Max (Left)} = 0.-15W$$

Note: For screen sizes not indicated on the projection tables, use the formulas on page 1.

Distance Charts

The following shows the proper relative positions of the projector and screen. Refer to the table to determine the position of installation. Distances are in inches. For millimeters multiply by 25.4.

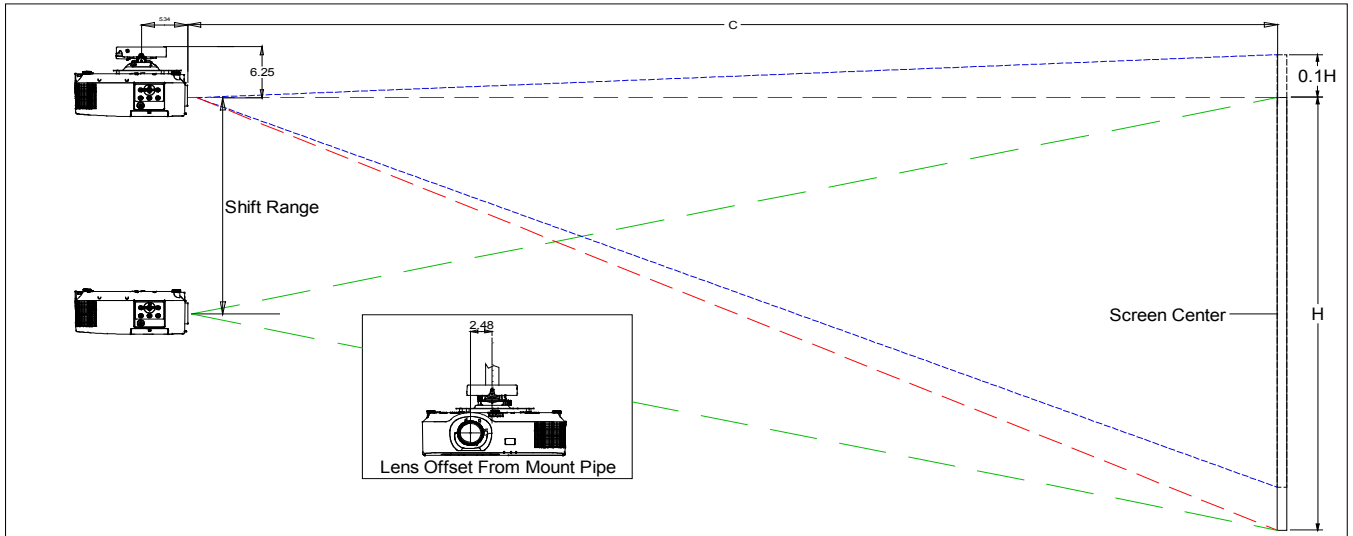
Screen Size (16:10)			B max - min	C wide - tele	D max - min	α wide - tele	Horizontal Lens Shift	
Diagonal	Width(W)	Height (H)					Max (Right)	Max (Left)
inches	inches	inches	inches	inches	inches	degrees	inches	
57	48	30	17 - 0	58 - 95	-2 - 15	16.1 - 10.0	7.25	-7.25
66	56	35	19 - 0	67 - 110	-2 - 18	16.1 - 10.0	8	-8
68	58	36	20 - 0	70 - 114	-2 - 18	16.0 - 10.0	9	-9
75	64	40	22 - 0	77 - 125	-2 - 20	16.0 - 10.0	10	-10
79	67	42	23 - 0	81 - 132	-2 - 21	16.0 - 10.0	10	-10
85	72	45	25 - 0	87 - 142	-3 - 23	16.0 - 10.0	11	-11
92	78	49	27 - 0	95 - 154	-3 - 24	15.9 - 10.0	12	-12
98	83	52	29 - 0	101 - 164	-3 - 26	15.9 - 9.9	12	-12
102	86	54	30 - 0	105 - 171	-3 - 27	15.9 - 9.9	13	-13
111	94	59	33 - 0	115 - 186	-3 - 29	15.9 - 9.9	14	-14
113	96	60	33 - 0	117 - 190	-3 - 30	15.9 - 9.9	14	-14
123	104	65	36 - 0	127 - 207	-4 - 33	15.9 - 9.9	16	-16
125	106	66	37 - 0	129 - 210	-4 - 33	15.9 - 9.9	16	-16
147	125	78	43 - 0	153 - 247	-4 - 39	15.8 - 9.9	19	-19
149	126	79	44 - 0	155 - 251	-4 - 40	15.8 - 9.9	19	-19
213	181	113	63 - 0	222 - 359	-6 - 57	15.8 - 9.9	27	-27
255	216	135	75 - 0	266 - 431	-8 - 68	15.8 - 9.9	32	-32
270	229	143	79 - 0	282 - 456	-8 - 72	15.8 - 9.9	34	-34
300	254	159	88 - 0	313 - 507	-9 - 80	15.7 - 9.9	38	-38

6652WSSB/6652WUSSB/6660WUSSB Installation Guide

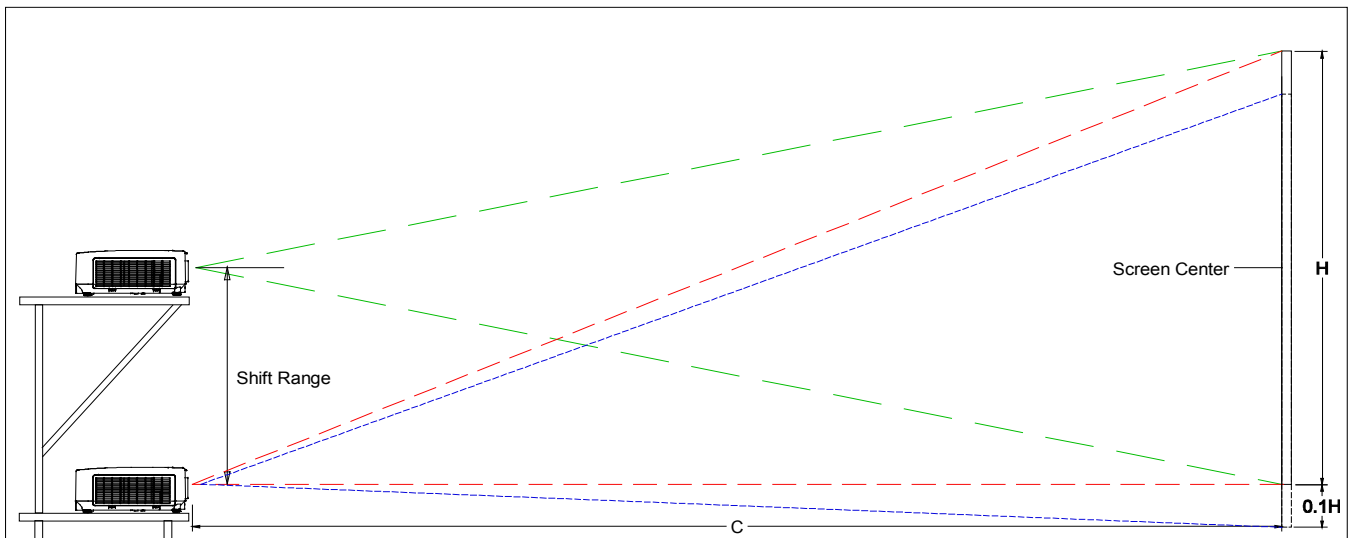
Desktop and Ceiling Mount

Rev 1.0

Ceiling Mounted



Desktop



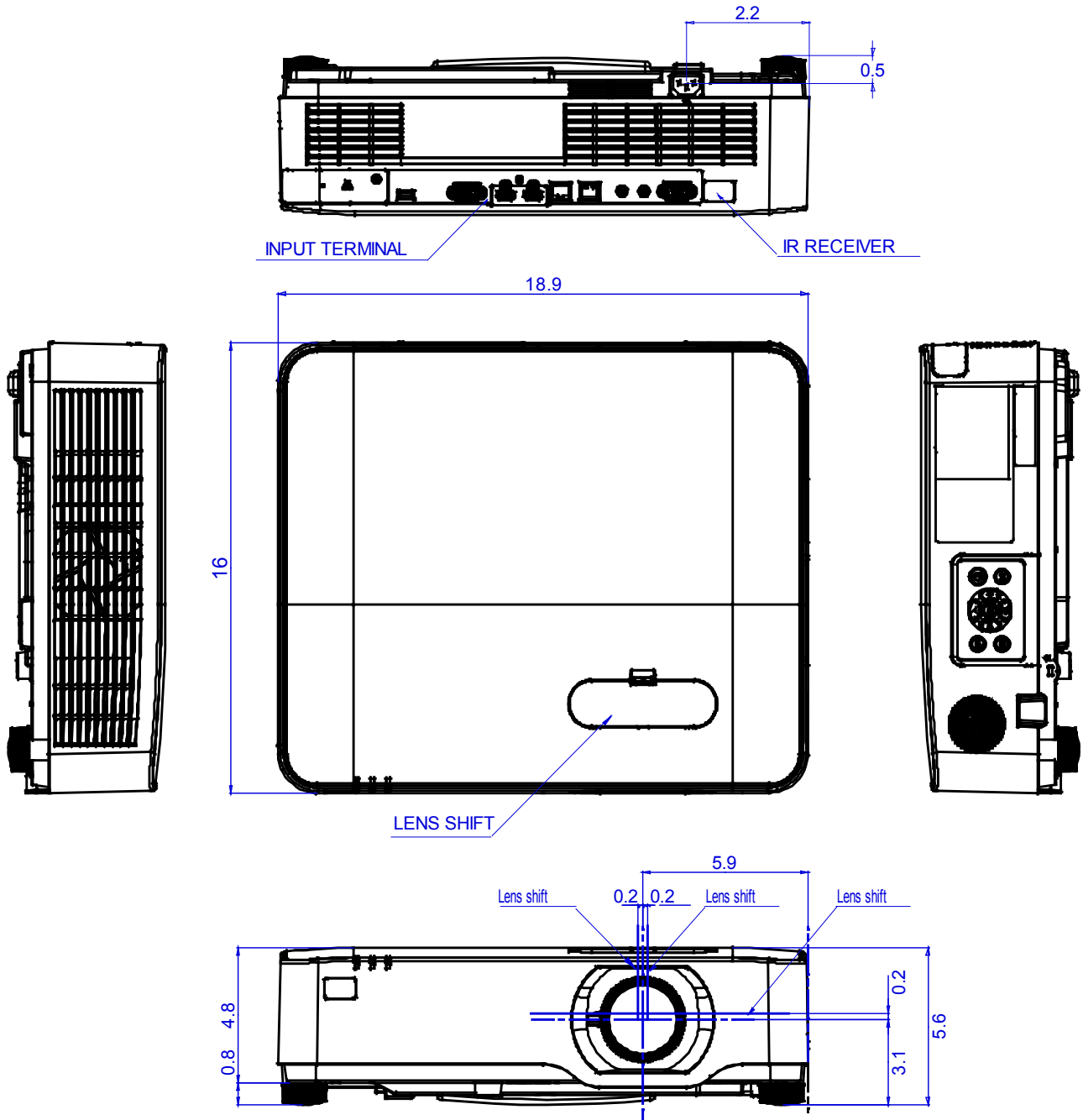
6652WSSB/6652WUSSB/6660WUSSB Installation Guide

Desktop and Ceiling Mount

Rev 1.0

Cabinet Dimensions

The following diagrams show the cabinet dimensions for the 6652WSSB/6652WUSSB/6660WUSSB. Dimensions are in inches. For millimeters multiply by 25.4.



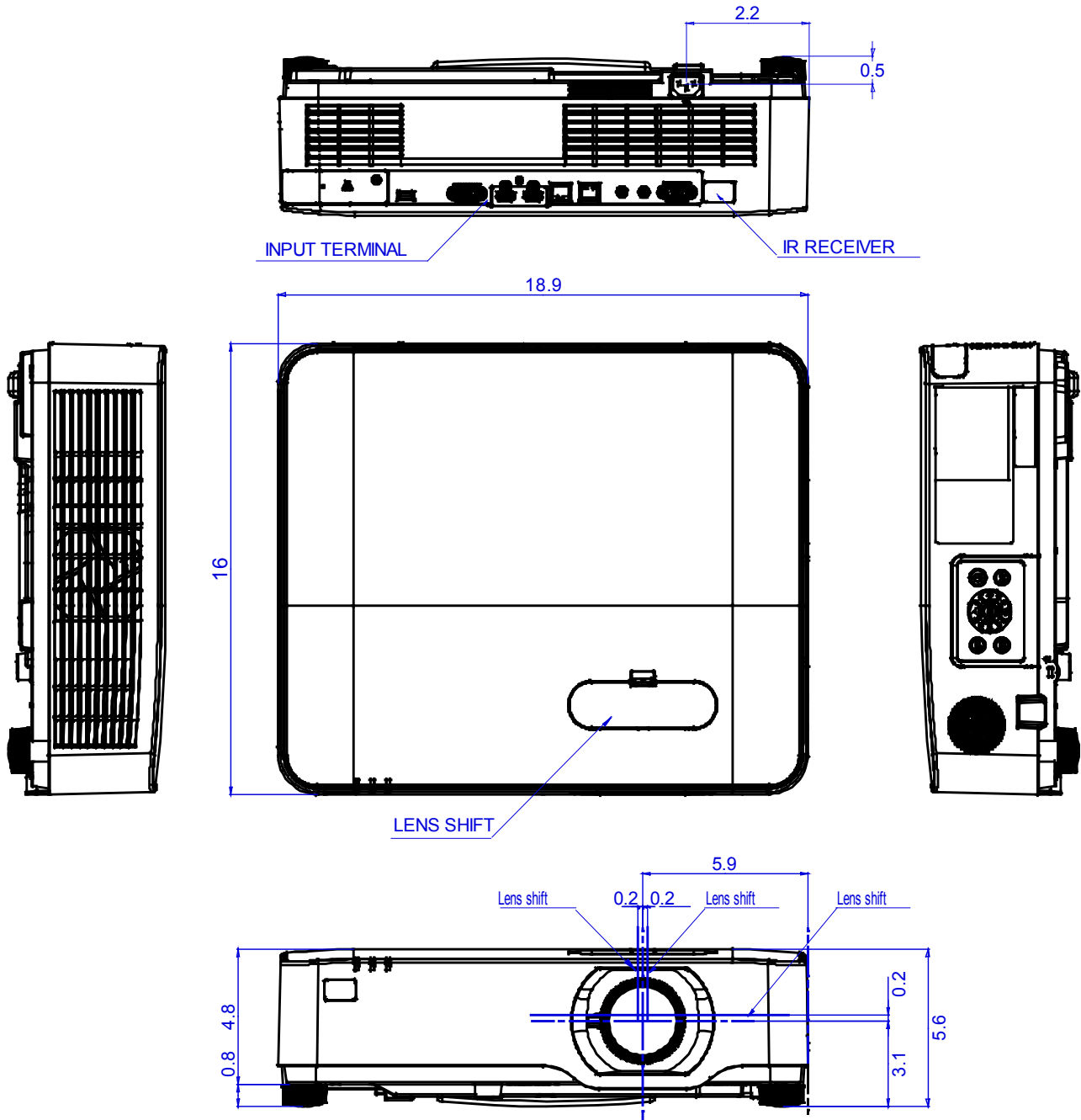
6652WSSB/6652WUSSB/6660WUSSB Installation Guide

Desktop and Ceiling Mount

Rev 1.0

Cabinet Dimensions

The following diagrams show the cabinet dimensions for the 6652WSSB/6652WUSSB/6660WUSSB. Dimensions are in inches. For millimeters multiply by 25.4.

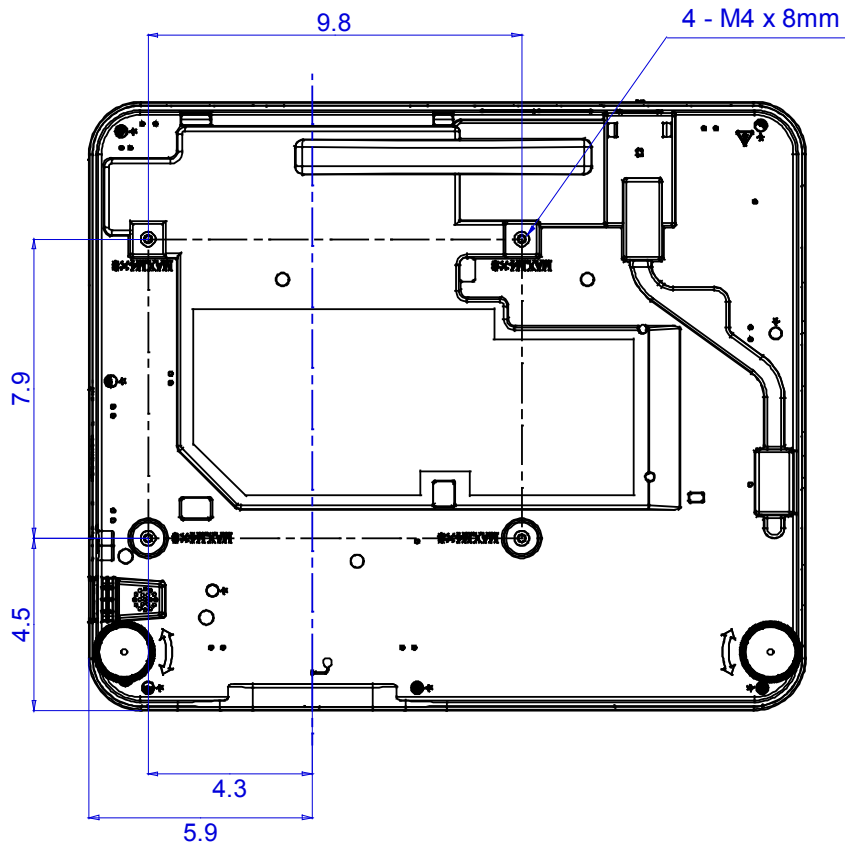


6652WSSB/6652WUSSB/6660WUSSB Installation Guide

Desktop and Ceiling Mount

Rev 1.0

Cabinet Dimensions

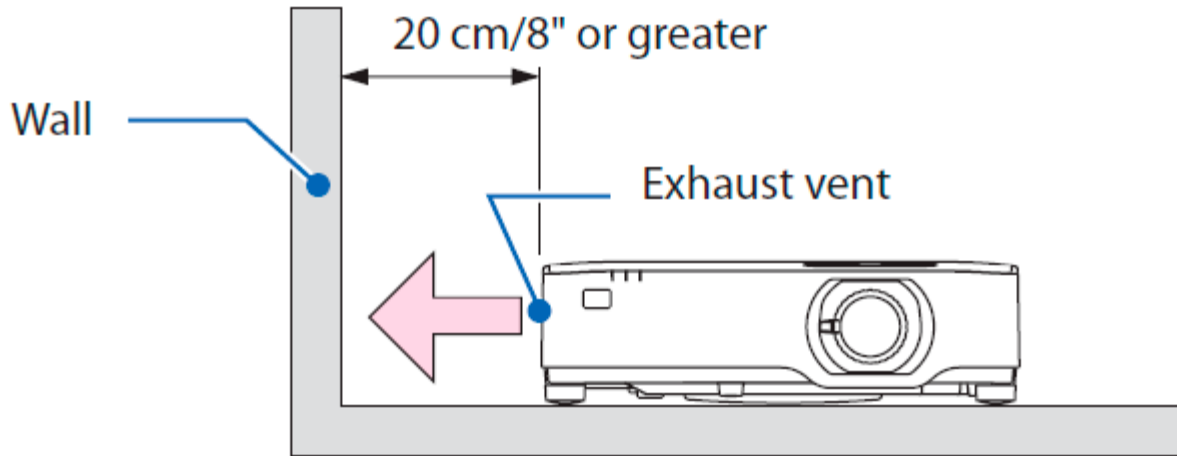


6652WSSB/6652WUSSB/6660WUSSB Installation Guide

Desktop and Ceiling Mount

Rev 1.0

Ventilation Requirements



Input Panel



Control Panel



6652WSSB/6652WUSSB/6660WUSSB Installation Guide

Desktop and Ceiling Mount

Rev 1.0

PC Control Codes

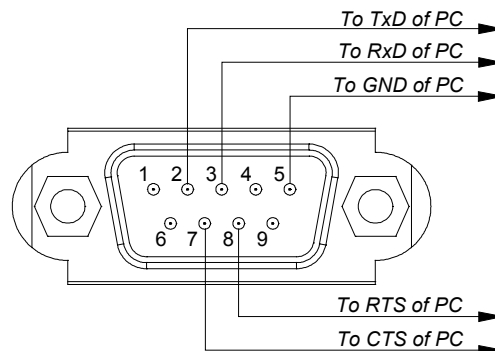
Function	Code Data								
POWER ON	02H	00H	00H	00H	00H	02H			
POWER OFF	02H	01H	00H	00H	00H	03H			
INPUT SELECT Computer	02H	03H	00H	00H	02H	01H	01H	09H	
INPUT SELECT HDMI1	02H	03H	00H	00H	02H	01H	A1H	A9H	
INPUT SELECT HDMI2	02H	03H	00H	00H	02H	01H	A2H	AAH	
INPUT SELECT HDBaseT	02H	03H	00H	00H	02H	01H	BFH	C7H	
INPUT SELECT USB-A	02H	03H	00H	00H	02H	01H	1FH	27H	
INPUT SELECT LAN	02H	03H	00H	00H	02H	01H	20H	28H	
PICTURE MUTE ON	02H	10H	00H	00H	00H	12H			
PICTURE MUTE OFF	02H	11H	00H	00H	00H	13H			
SOUND MUTE ON	02H	12H	00H	00H	00H	14H			
SOUND MUTE OFF	02H	13H	00H	00H	00H	15H			
AUTO ADJUST	02H	0FH	00H	00H	02H	05H	00H	18H	

Cable Connection

Communication Protocol:

Baud Rate: 38400 bps (for cable lengths longer than 20', it is recommended changing to 9600 bps in setup menu)
Data Length: 8 bits
Parity: No Parity
Stop Bit: One bit
X on/off: None
Communications: Full duplex

PC Control Connector (D-Sub 9P)



NOTE 1 : Pins 1, 4, 6, and 9 are used inside the projector.

NOTE 2 : For long cable runs it is recommended to set communication speed within the projector to 9600 bps.

NOTE 3 : Jumper "Request to Send" and "Clear to Send" together on both ends of the cable to simplify cable connection.

Note: The Dukane models described in this document are manufactured by NEC and use the same firmware, software programs, control code, and accessory parts. The equivalent Dukane to NEC models are 6652WSSB (NP-P525WL), 6652WUSSB (NP-P525UL) and 6660WUSSB (NP-P605UL).